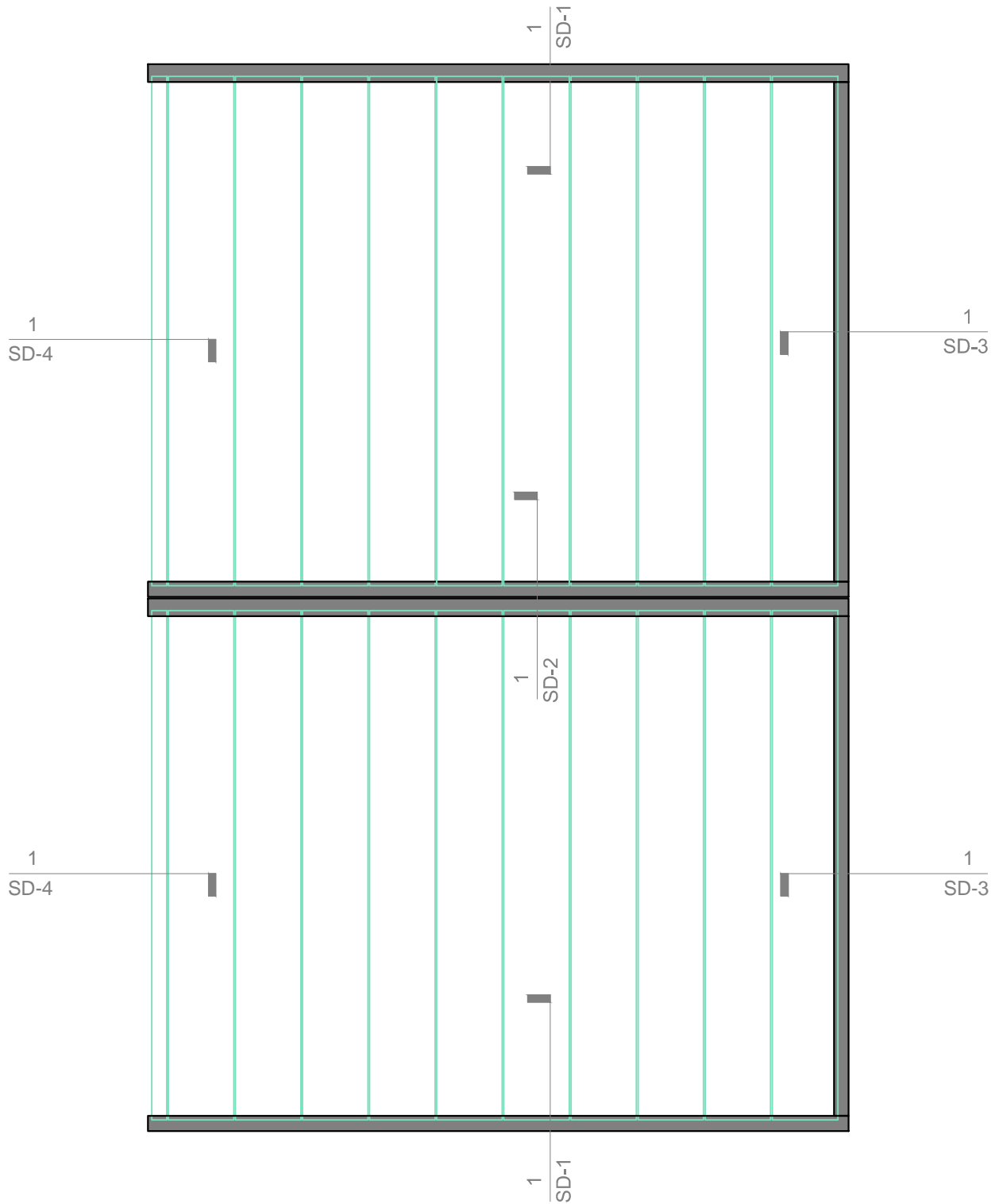
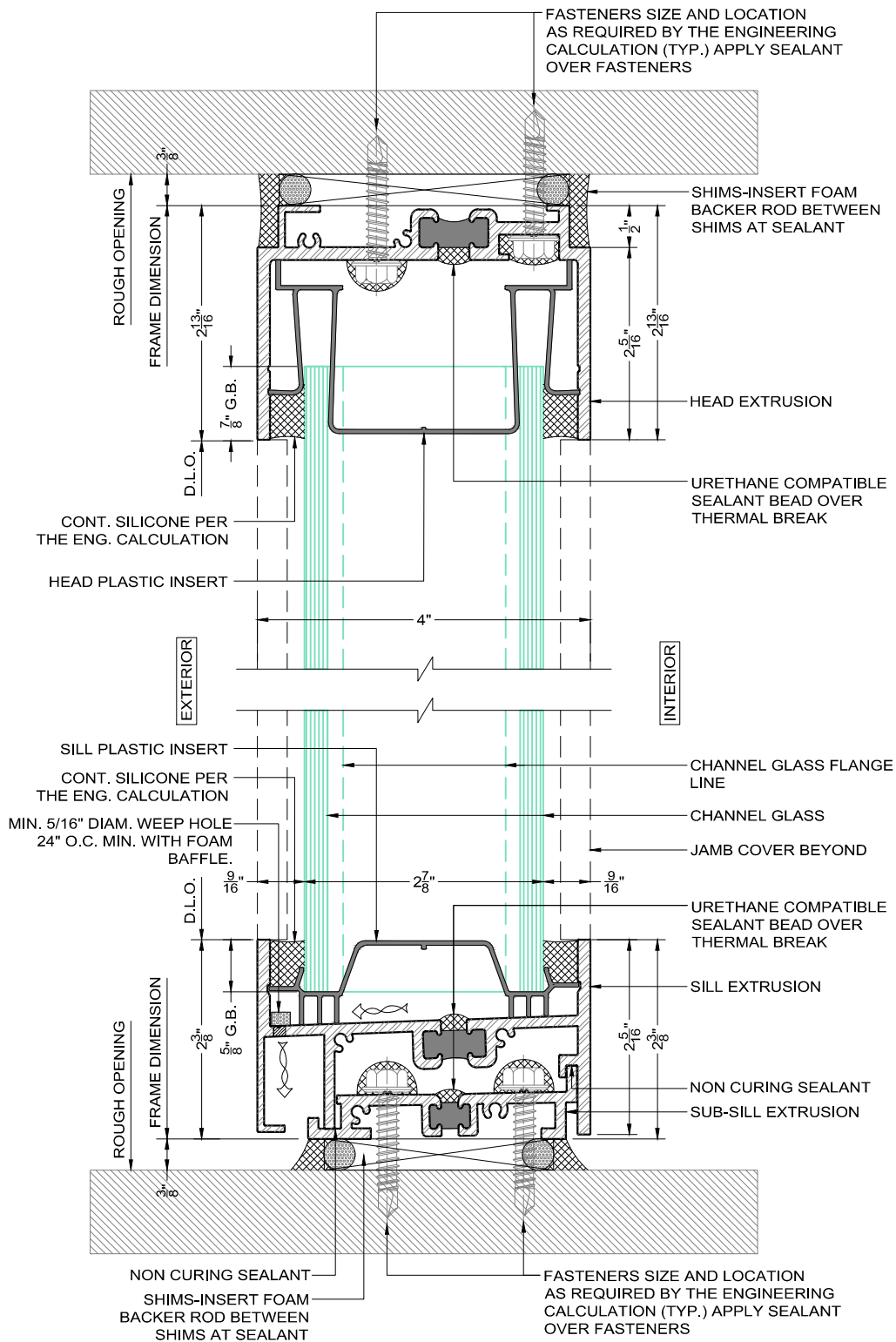


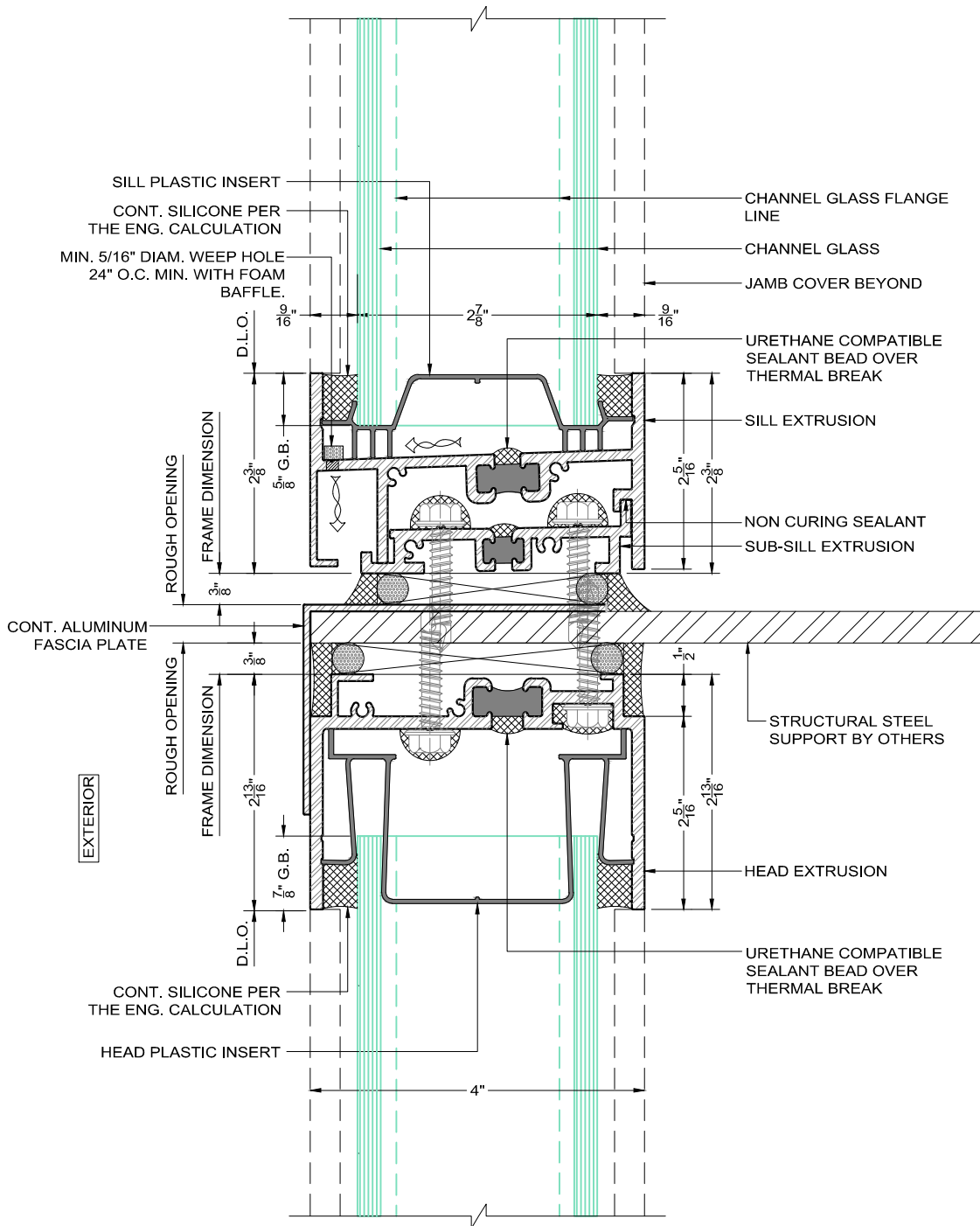
BENDHEIM WALL SYSTEMS



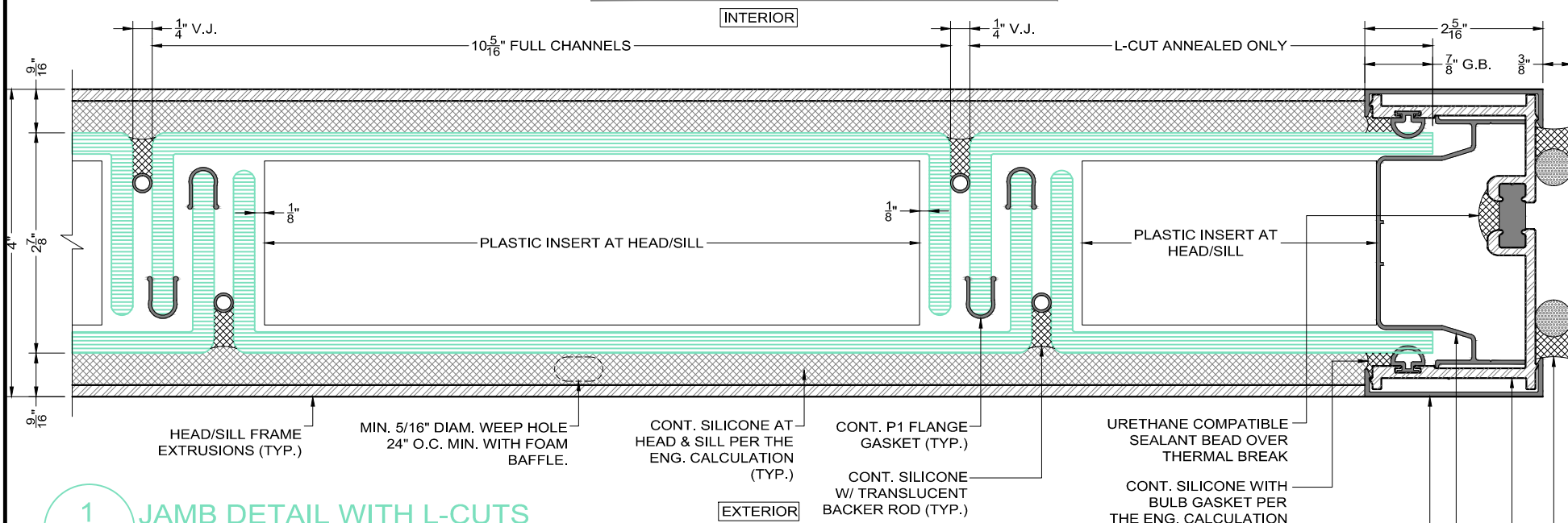
NOTE:
INFORMATION AND CONFIGURATION
SHOWN ON THIS SKETCH IS PROPRIETARY
TO BENDHEIM WALL SYSTEMS INC.
NO REPRODUCTION OR DISSEMINATION
WITHOUT BWS PERMISSION IS PERMITTED

NOTE:
ALL DETAILS ARE TYPICAL ONLY;
SHOP DRAWINGS TO BE PREPARED
IN ACCORDANCE WITH JOB CONDITION
AND TO BE REVIEWED AND APPROVED BY
PROJECT ARCHITECT/ENGINEER.





BENDHEIM WALL SYSTEMS

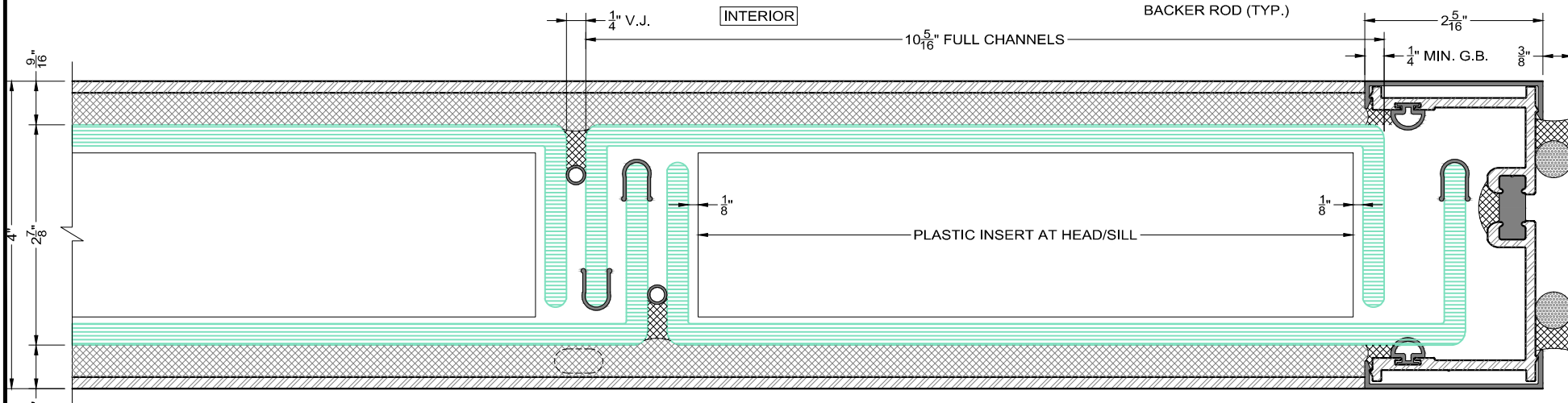


1 JAMB DETAIL WITH L-CUTS
SD-3 SCALE: 6" = 1'-0"

INTERIOR

EXTERIOR

- L-CUT ANNEALED ONLY
- 2 5/16"
- 7/8" G.B.
- 3/8"
- PLASTIC INSERT AT HEAD/SILL
- PLASTIC INSERT AT HEAD/SILL
- HEAD/SILL FRAME EXTRUSIONS (TYP.)
- MIN. 5/16" DIAM. WEEP HOLE 24" O.C. MIN. WITH FOAM BAFFLE.
- CONT. SILICONE AT HEAD & SILL PER THE ENG. CALCULATION (TYP.)
- CONT. P1 FLANGE GASKET (TYP.)
- CONT. SILICONE W/ TRANSLUCENT BACKER ROD (TYP.)
- URETHANE COMPATIBLE SEALANT BEAD OVER THERMAL BREAK
- CONT. SILICONE WITH BULB GASKET PER THE ENG. CALCULATION
- JAMB ALUMINUM COVER (TYP.)
- JAMB PLASTIC INSERT (TYP.)
- JAMB EXTRUSION (TYP.)
- CONT. SILICONE WITH FOAM BACKER ROD (TYP.)

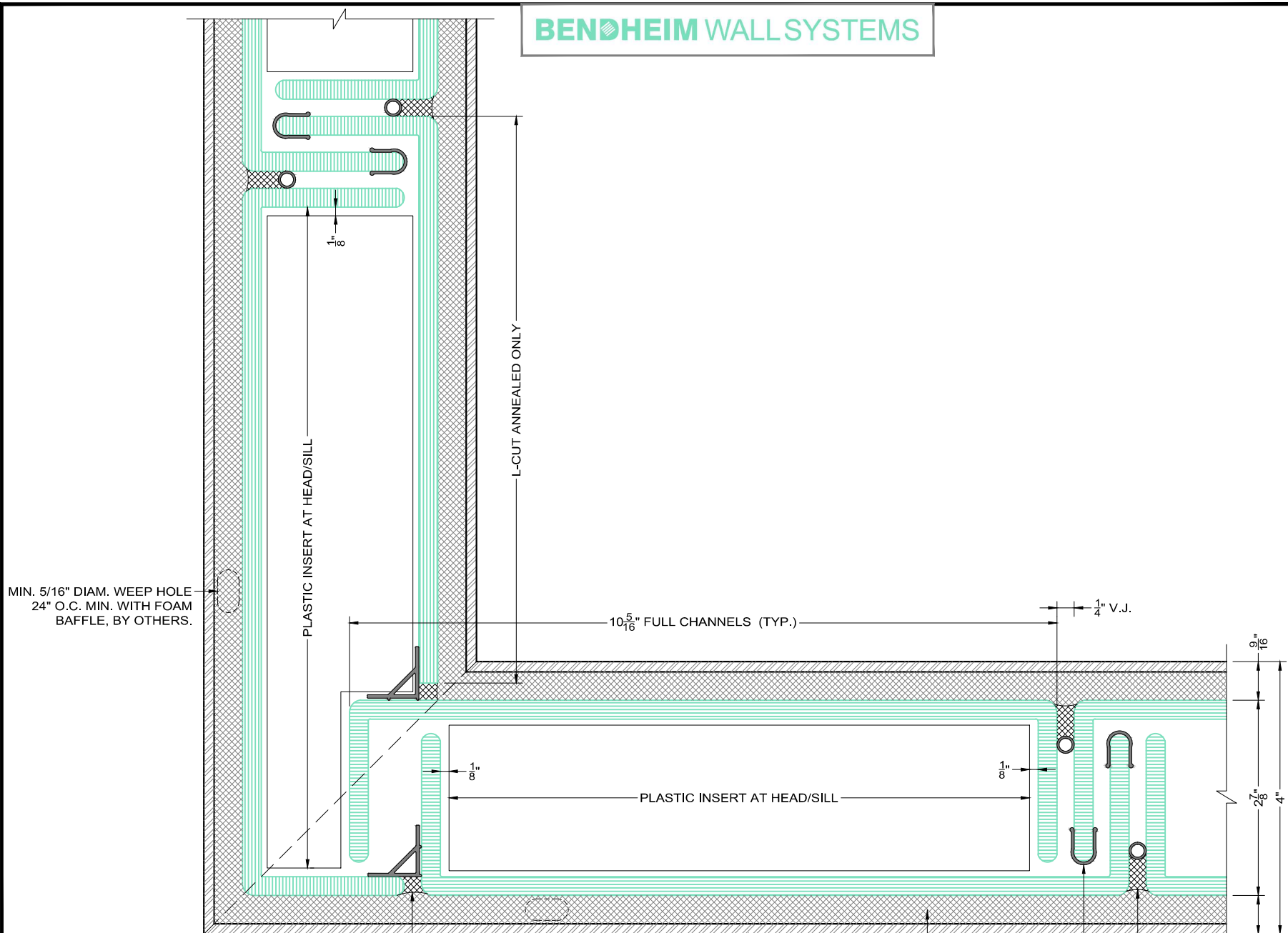


1 JAMB DETAIL WITH FULL CHANNELS
SD-3 SCALE: 6" = 1'-0"

INTERIOR

EXTERIOR

SD-3



MIN. 5/16" DIAM. WEEP HOLE
24" O.C. MIN. WITH FOAM
BAFFLE, BY OTHERS.

PLASTIC INSERT AT HEAD/SILL

L-CUT ANNEALED ONLY

10 ⁵/₁₆" FULL CHANNELS (TYP.)

1/4" V.J.

1/8"

PLASTIC INSERT AT HEAD/SILL

1/8"

9/16"

2 7/8"

4"

9/16"

CONTINUOUS SILICONE
WITH TRANSLUCENT
CORNER GASKET (TYP.)

HEAD/SILL FRAME
EXTRUSIONS (TYP.)

CONT. SILICONE AT
HEAD & SILL PER THE
ENG. CALCULATION
(TYP.)

CONT. P1 FLANGE
GASKET (TYP.)

CONT. SILICONE
W/ TRANSLUCENT
BACKER ROD (TYP.)

EXTERIOR

1 TYPICAL CORNER DETAIL
SD-4 SCALE: 6" = 1'-0"

SD-4