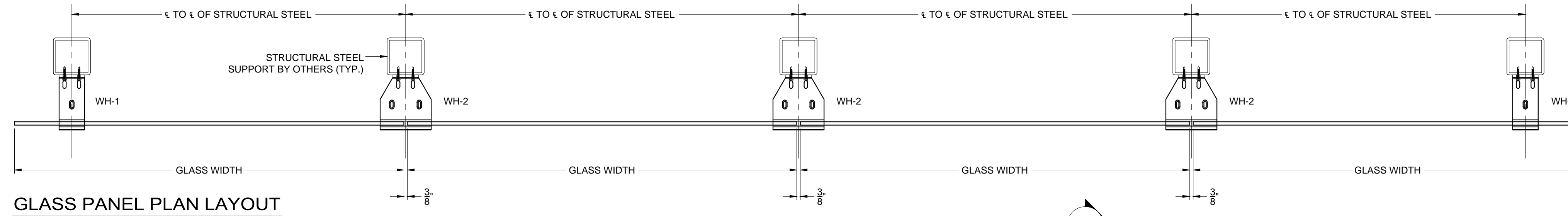
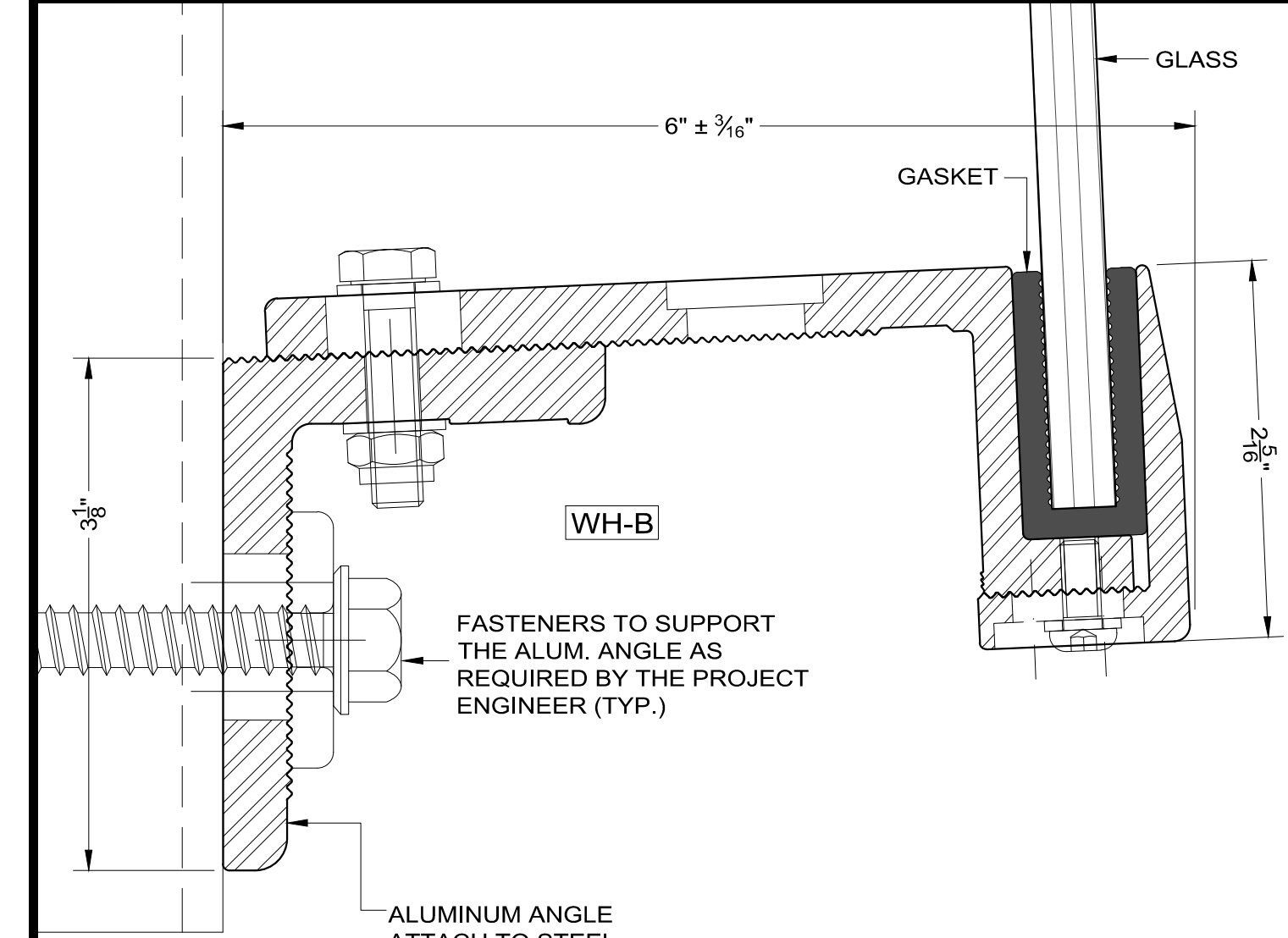
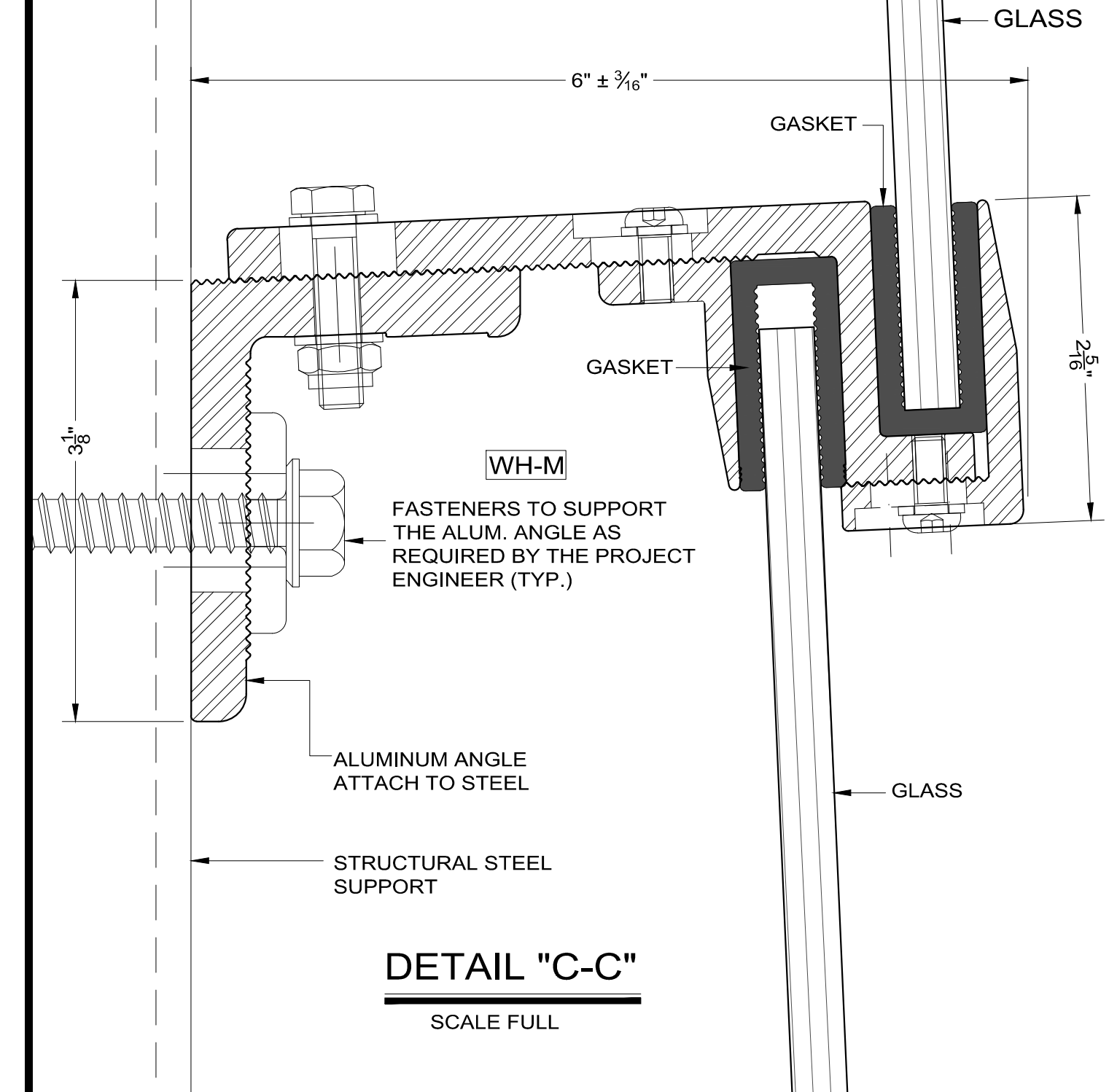
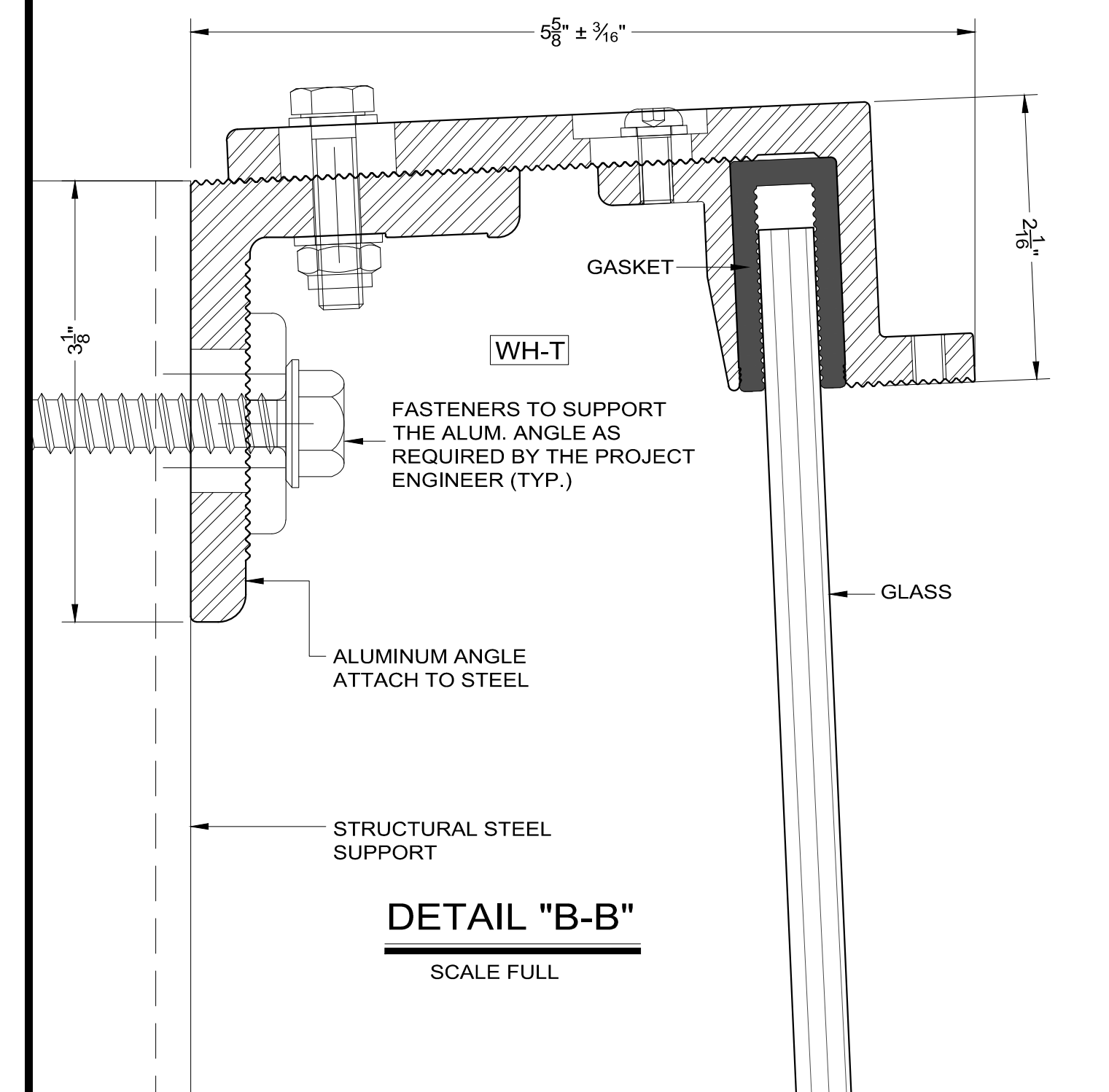
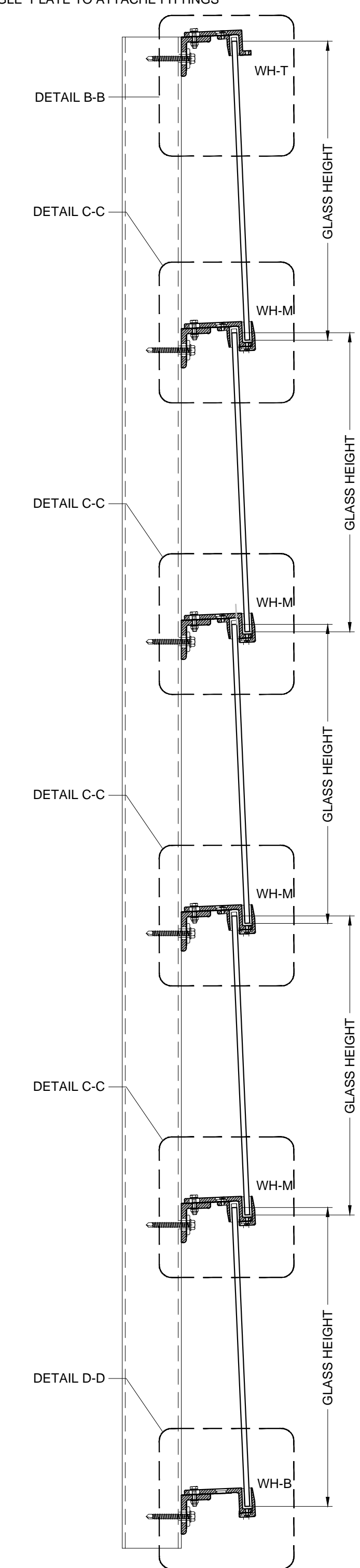
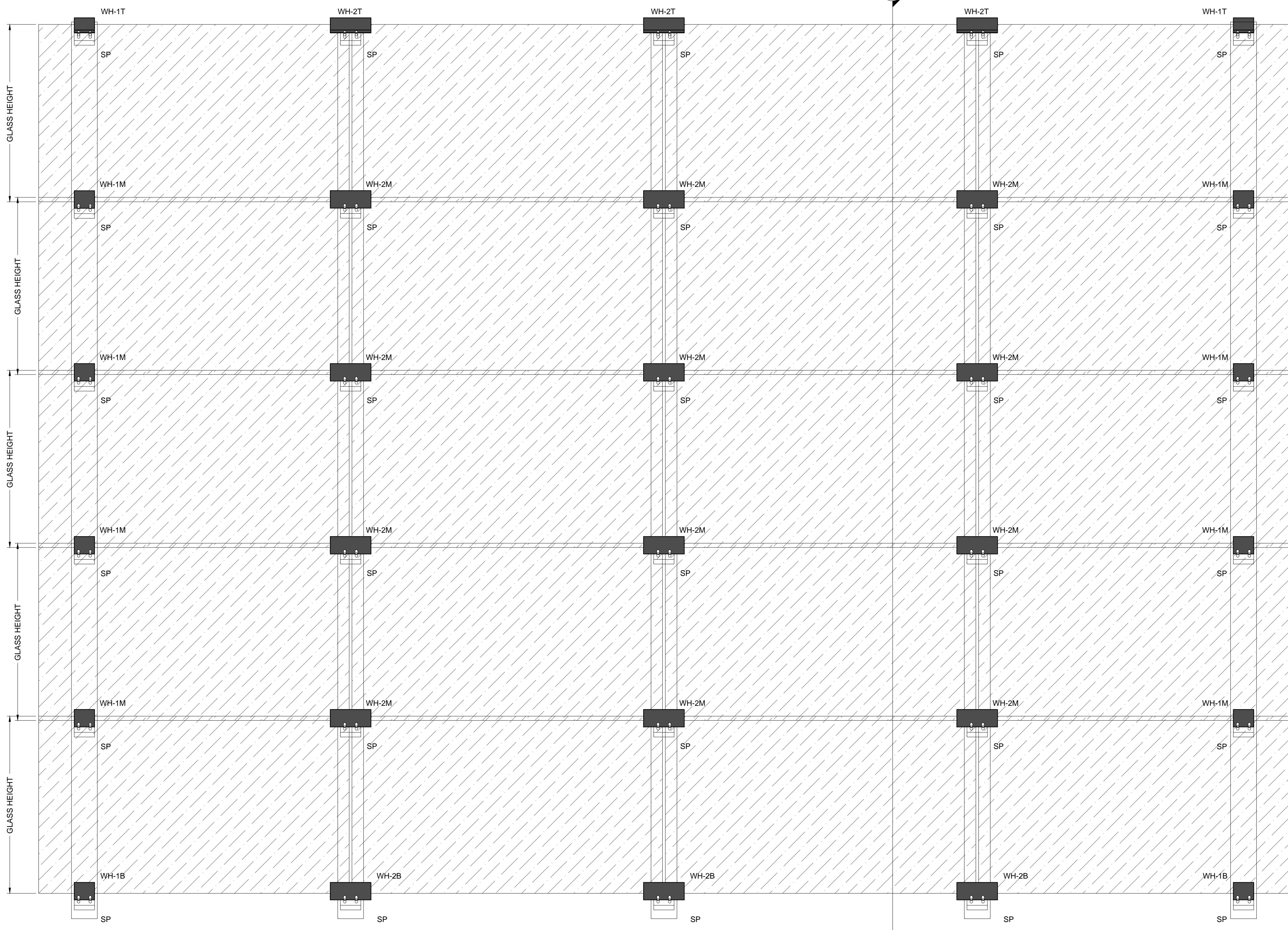


ALL DESIGNS PATENTED AND PROTECTED.



ABBREVIATIONS:
 WH-1T: WALL HORIZONTAL TOP SINGLE FITTING
 WH-2T: WALL HORIZONTAL TOP DOUBLE FITTING
 WH-1M: WALL HORIZONTAL MIDDLE SINGLE FITTING
 WH-2M: WALL HORIZONTAL MIDDLE DOUBLE FITTING
 WH-1B: WALL HORIZONTAL BOTTOM SINGLE FITTING
 WH-2B: WALL HORIZONTAL BOTTOM DOUBLE FITTING
 SP: SINGLE PLATE TO ATTACHE FITTINGS



NOTE:
WALL-H PROVIDES HORIZONTALLY OVERLAPPING GLAZING PANELS FOR A VENTILATED SYSTEM REQUIRING NO GLASS CUT-OUTS OR HOLES. THE SYSTEM HELP MINIMIZE THE HORIZONTALLY DRIVEN RAIN FROM ACCESSING THE BUILDING ENVELOPE. THE FASTENERS ARE EASY TO ADJUST TO ACCOMMODATE FIELD CONDITIONS. UNLIKE OTHER SYSTEMS, INDIVIDUAL GLASS PANELS CAN BE REPLACED WITHOUT HAVING TO DEGLAZE SURROUNDING PANELS. THE FITTINGS CAN ACCOMMODATE GLASS THICKNESS FROM 1/4" (6 MM) TO 3/4" (19 MM).