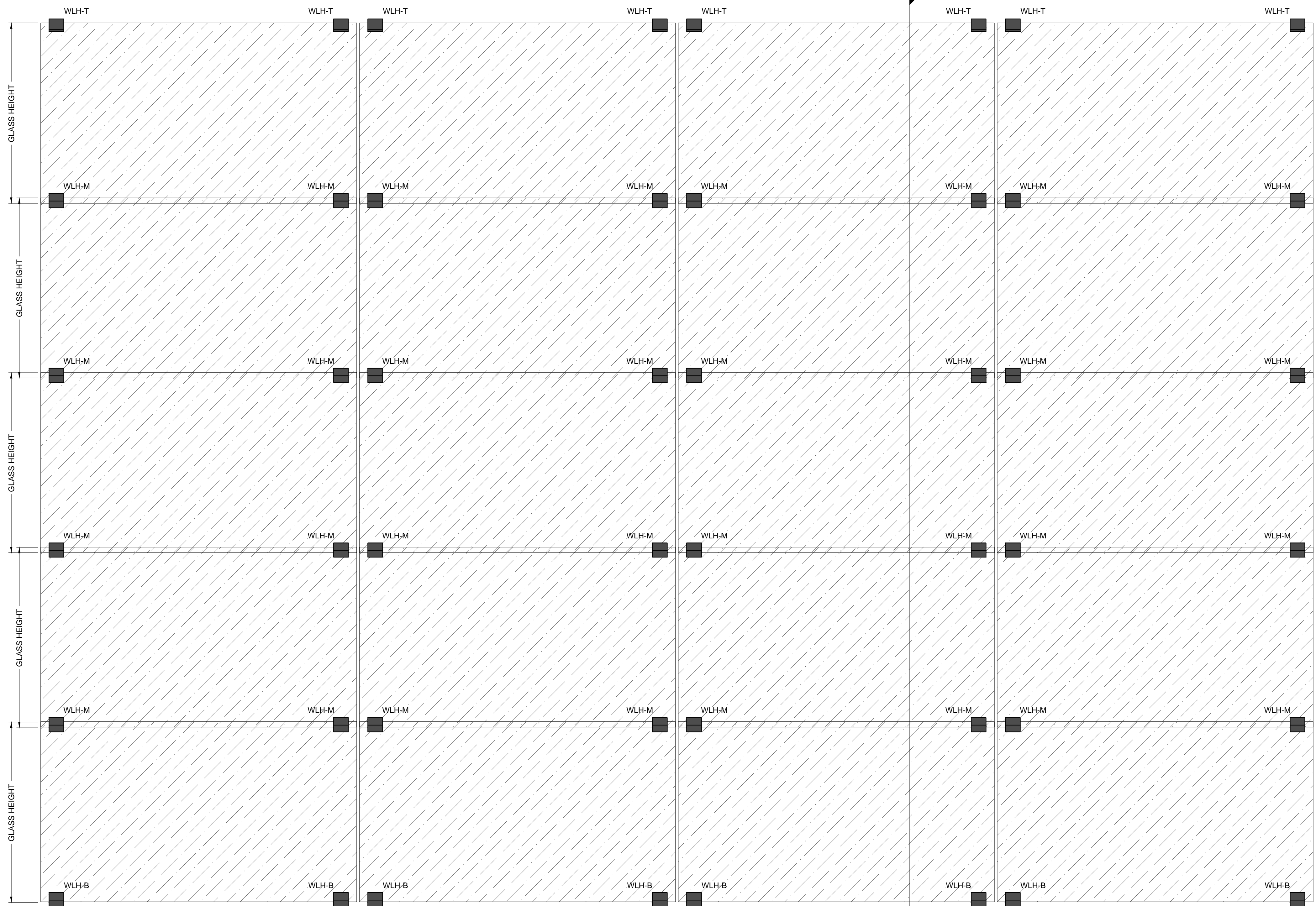


GLASS PANEL PLAN LAYOUT

SCALE 1/2" = 1'-0"



GLASS PANEL ELEVATION

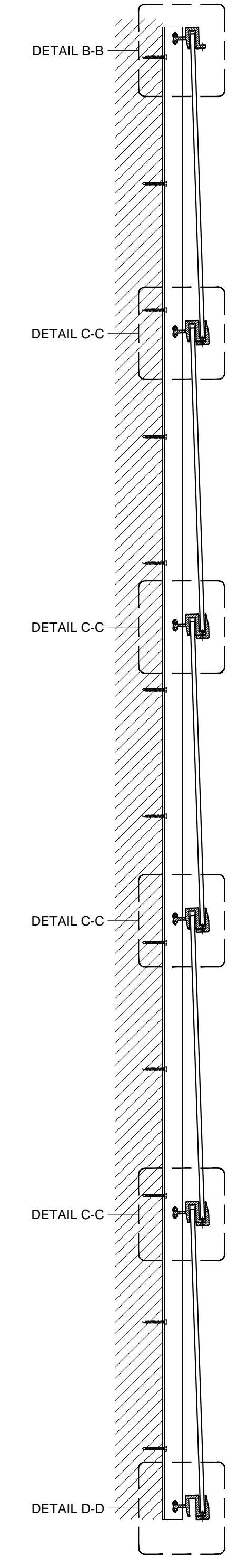
SCALE 1/2" = 1'-0"

NOTE:

WALL-LH PROVIDES HORIZONTALLY OVERLAPPING GLAZING PANELS. DEVELOPED FOR INTERIOR WALLS OR EXTERIOR WALLS IN CERTAIN LOCATION WITH LOW WIND LOAD. THE SYSTEM HELP MINIMIZE THE HORIZONTALLY DRIVEN RAIN FROM ACCESSING THE BUILDING ENVELOPE. THE FASTENERS ARE EASY TO ADJUST TO ACCOMMODATE FIELD CONDITIONS. UNLIKE OTHER SYSTEMS, INDIVIDUAL GLASS PANELS CAN BE REPLACED WITHOUT HAVING TO DEGLAZE SURROUNDING PANELS. THE FASTENER CAN ACCOMMODATE GLASS THICKNESS FROM 1/4" (6 MM) TO 5/16" (8 MM).

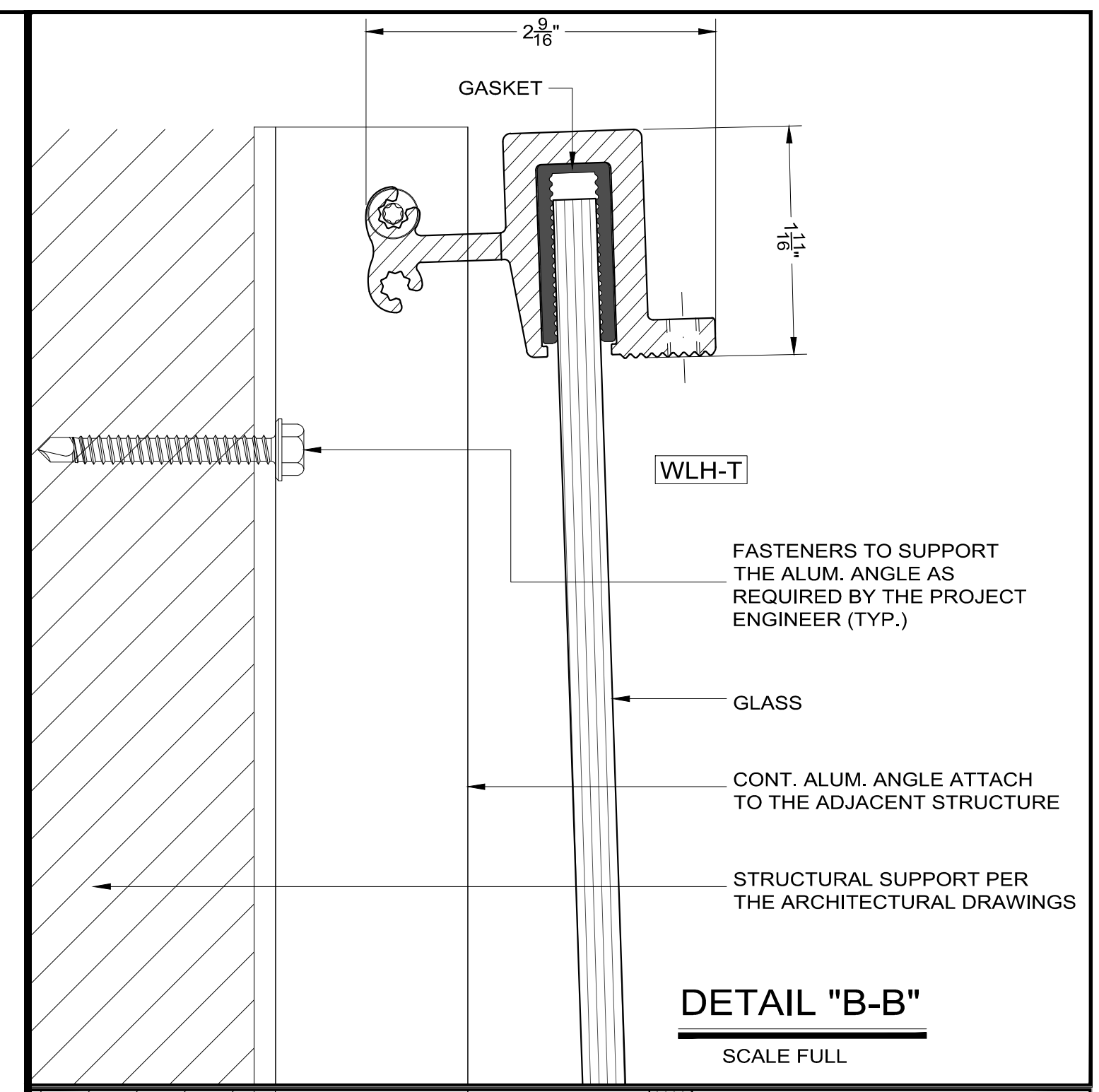
ABBREVIATIONS:

WLH-T: WALL LIGHT HORIZONTAL TOP FITTING
 WLH-M: WALL LIGHT HORIZONTAL MIDDLE FITTING
 WLH-B: WALL LIGHT HORIZONTAL BOTTOM FITTING



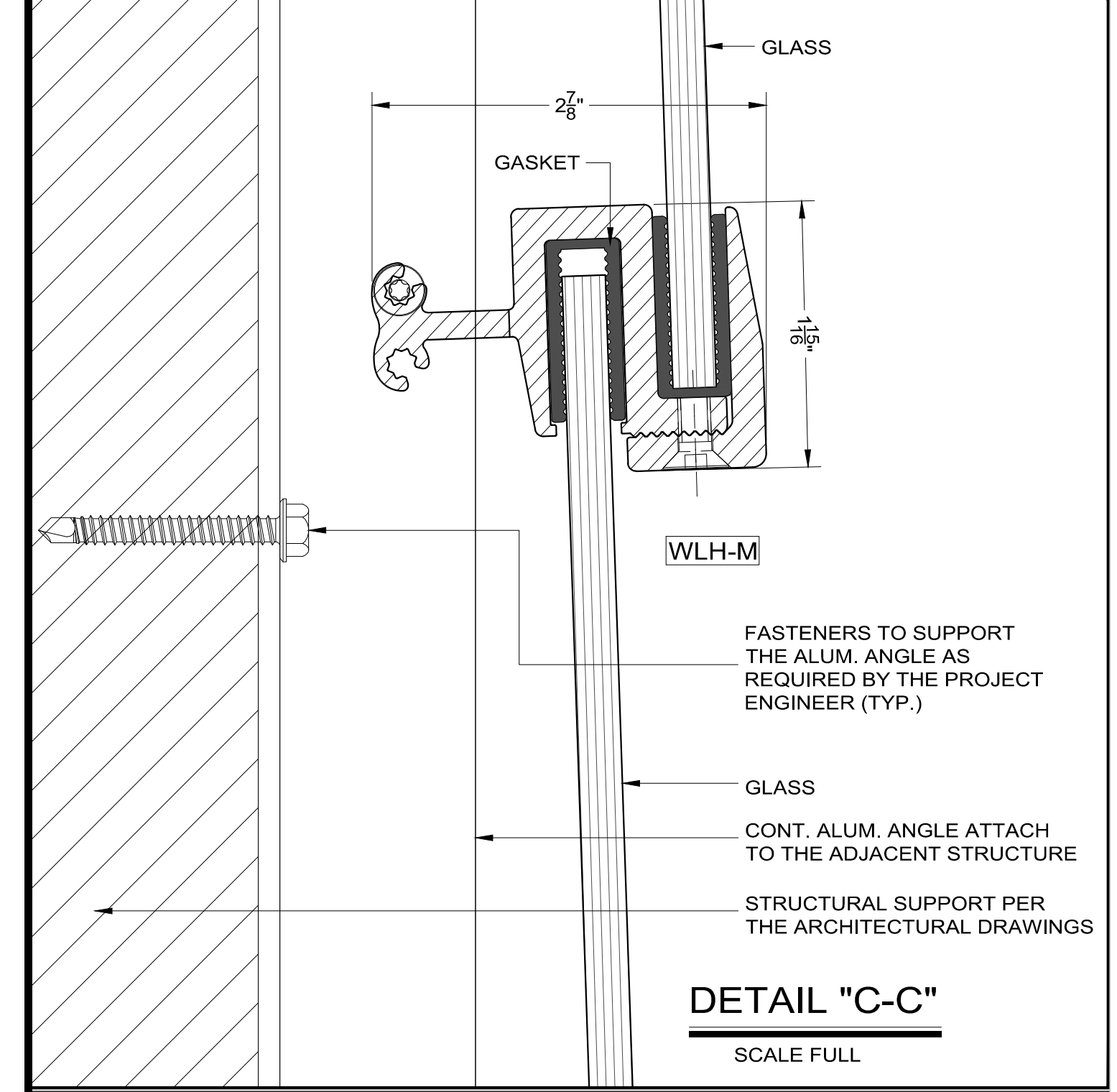
SECTION "A-A"

SCALE 1/2" = 1'-0"



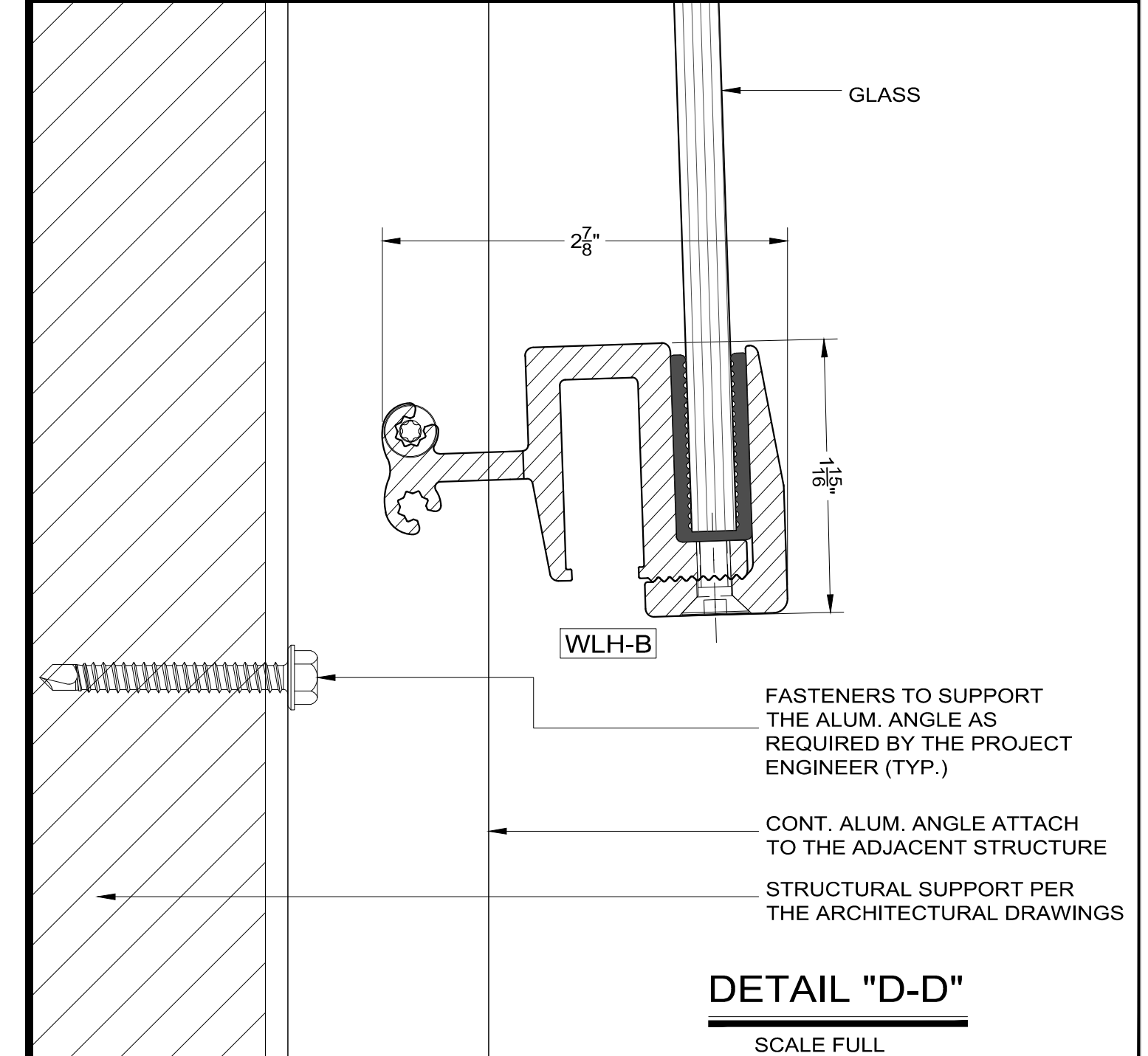
DETAIL "B-B"

SCALE FULL



DETAIL "C-C"

SCALE FULL



DETAIL "D-D"

SCALE FULL