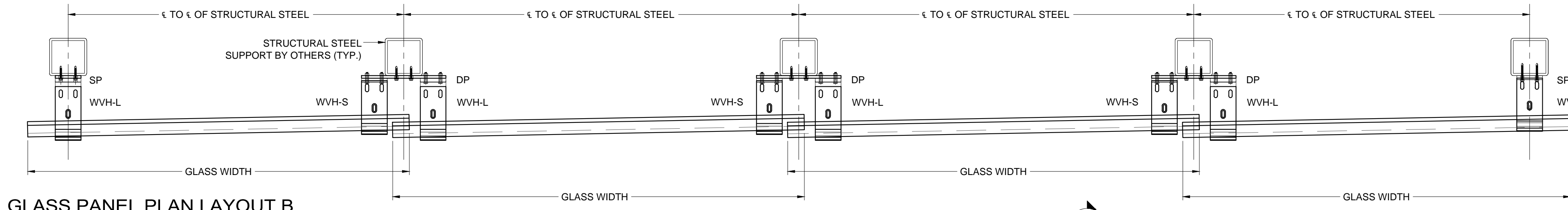


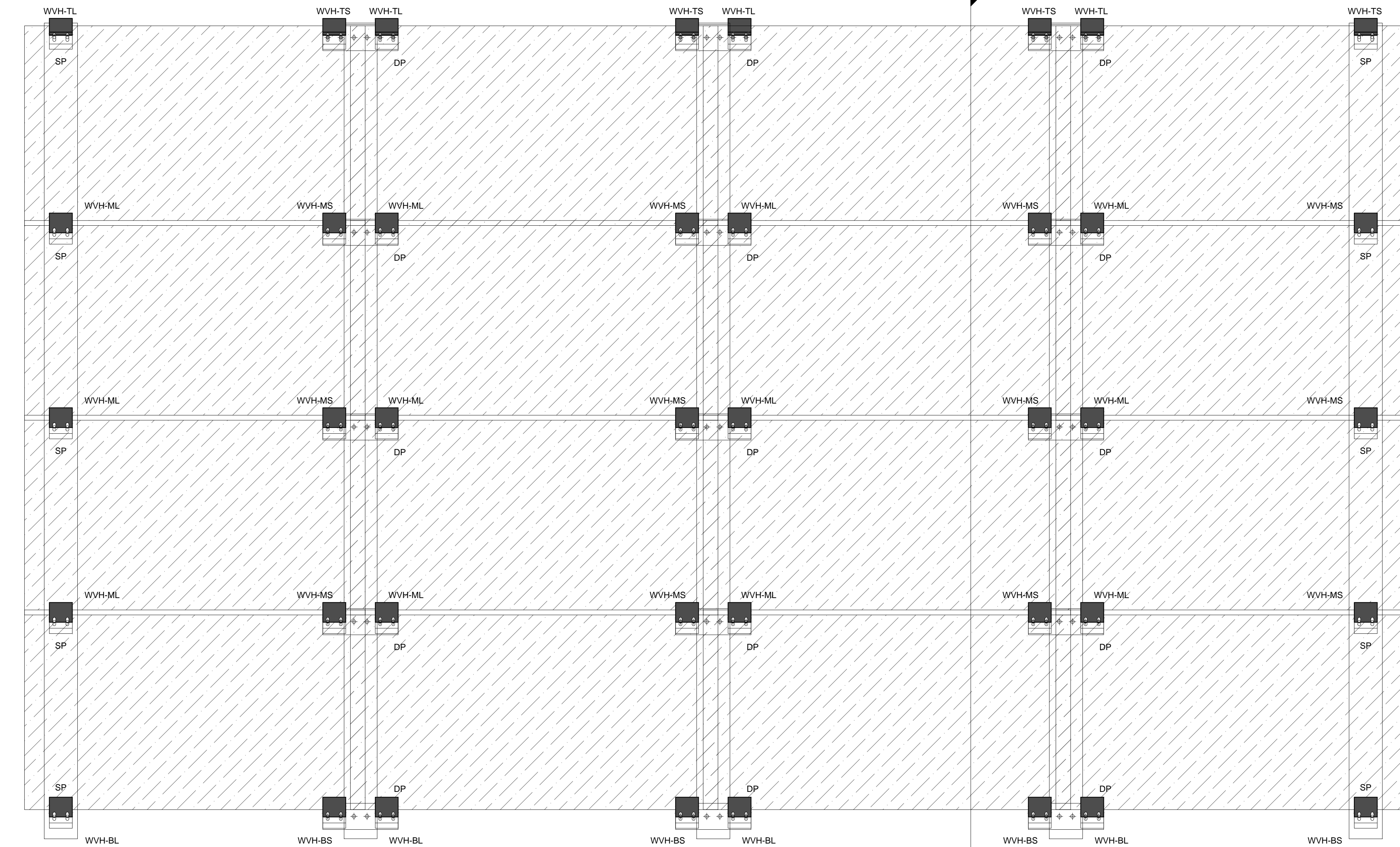
GLASS PANEL PLAN LAYOUT A

SCALE 1 1/2" = 1'-0"



GLASS PANEL PLAN LAYOUT B

SCALE 1 1/2" = 1'-0"



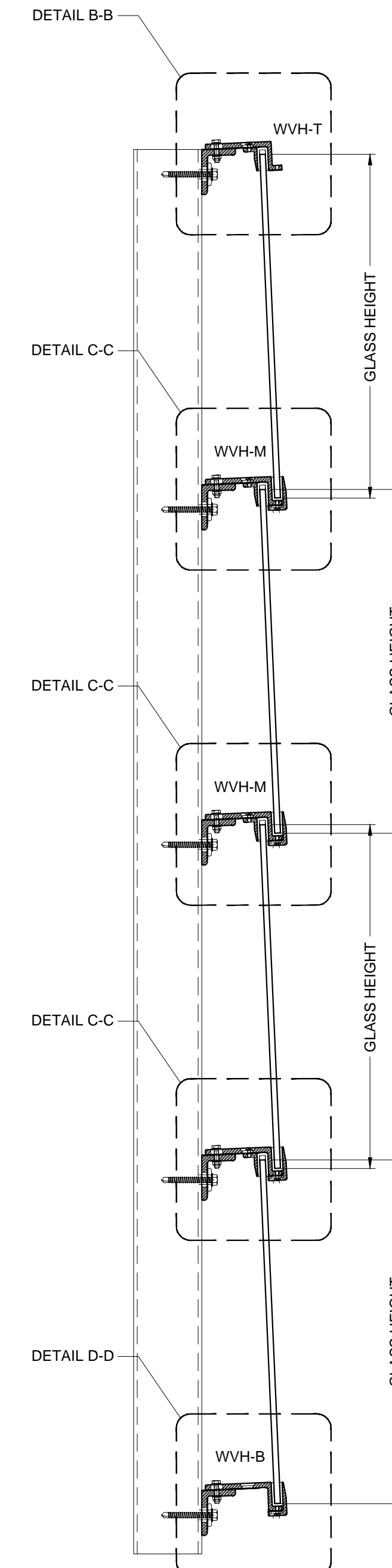
GLASS PANEL ELEVATION

SCALE 1 1/2" = 1'-0"

NOTE:
WALL-VH PROVIDES HORIZONTAL AND VERTICAL HORIZONTALLY GLAZING PANELS FOR A VENTILATED SYSTEM REQUIRING NO GLASS CUT-OUTS OR HOLES. THE SYSTEM HELP PREVENT THE HORIZONTALLY DRIVEN RAIN FROM ACCESSING THE BUILDING ENVELOPE. THE FASTENERS ARE EASY TO ADJUST TO ACCOMMODATE FIELD CONDITIONS. UNLIKE OTHER SYSTEMS, INDIVIDUAL GLASS PANELS CAN BE REPLACED WITHOUT HAVING TO DEGLAZE SURROUNDING PANELS. THE FITTINGS CAN ACCOMMODATE GLASS THICKNESS FROM 1/4" (6 MM) TO 5/8" (16 MM).

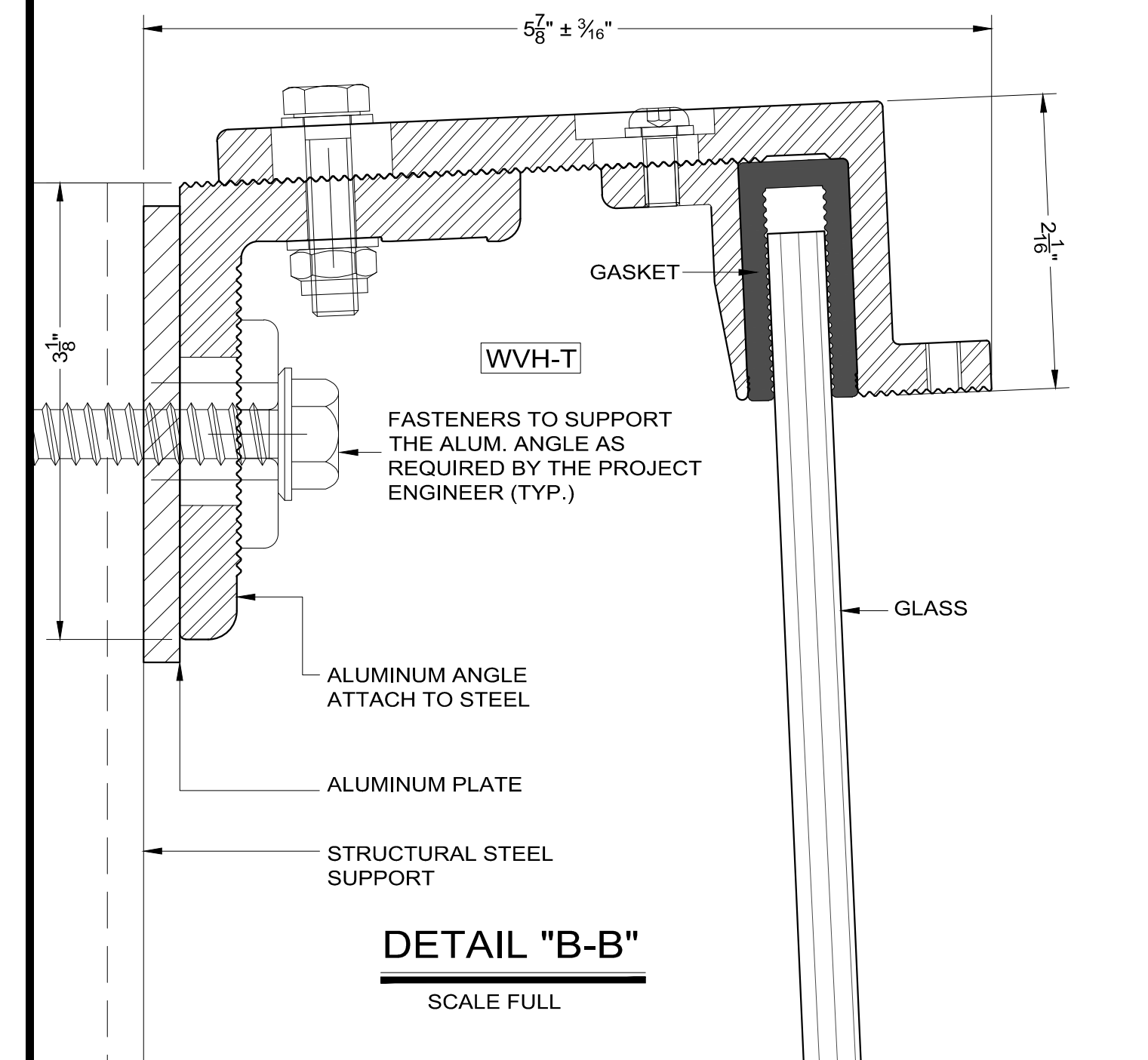
ABBREVIATIONS:

- WVH-TS: WALL VERTICAL & HORIZONTAL TOP SHORT
- WVH-TL: WALL VERTICAL & HORIZONTAL TOP LONG
- WVH-MS: WALL VERTICAL & HORIZONTAL MIDDLE SHORT
- WVH-ML: WALL VERTICAL & HORIZONTAL MIDDLE LONG
- WVH-BS: WALL VERTICAL & HORIZONTAL BOTTOM SHORT
- WVH-BL: WALL VERTICAL & HORIZONTAL BOTTOM LONG
- SP: SINGLE PLATE TO ATTACH FITTINGS AT THE END OF THE WALL
- DP: DOUBLE PLATE TO ATTACH FITTINGS AT THE MIDDLE OF THE WALL



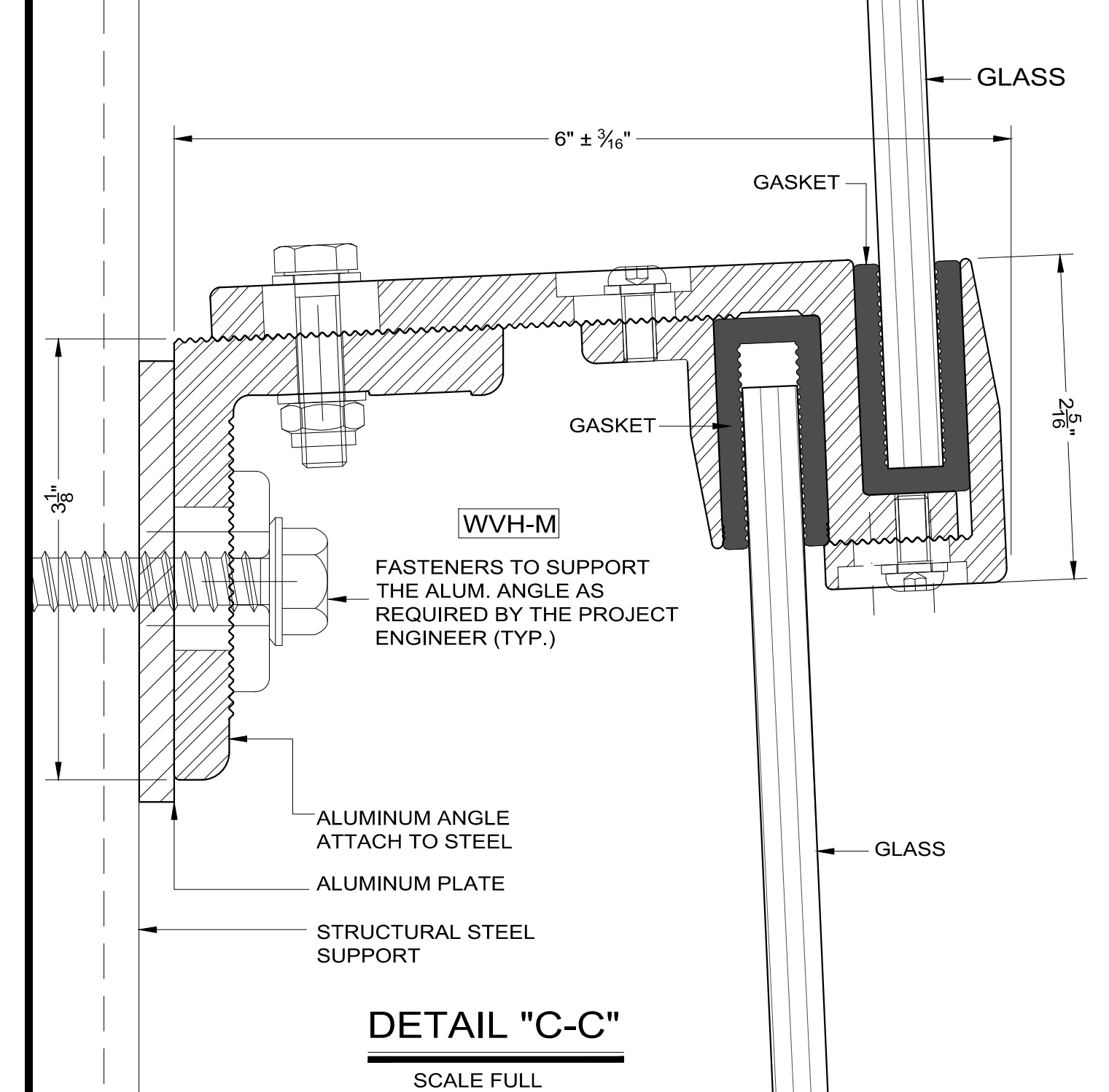
SECTION "A-A"

SCALE 1 1/2" = 1'-0"



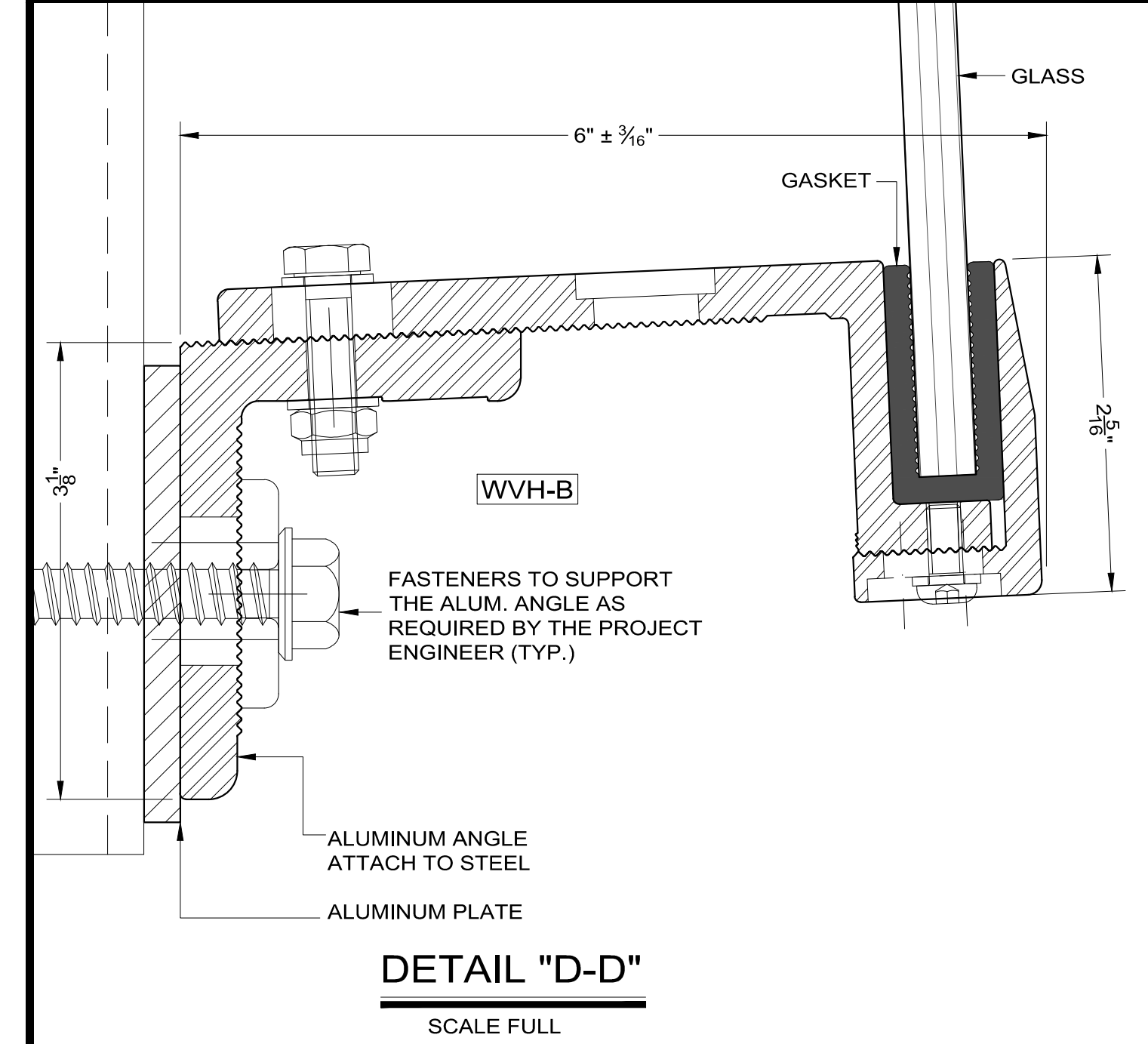
DETAIL "B-B"

SCALE FULL



DETAIL "C-C"

SCALE FULL



DETAIL "D-D"

SCALE FULL