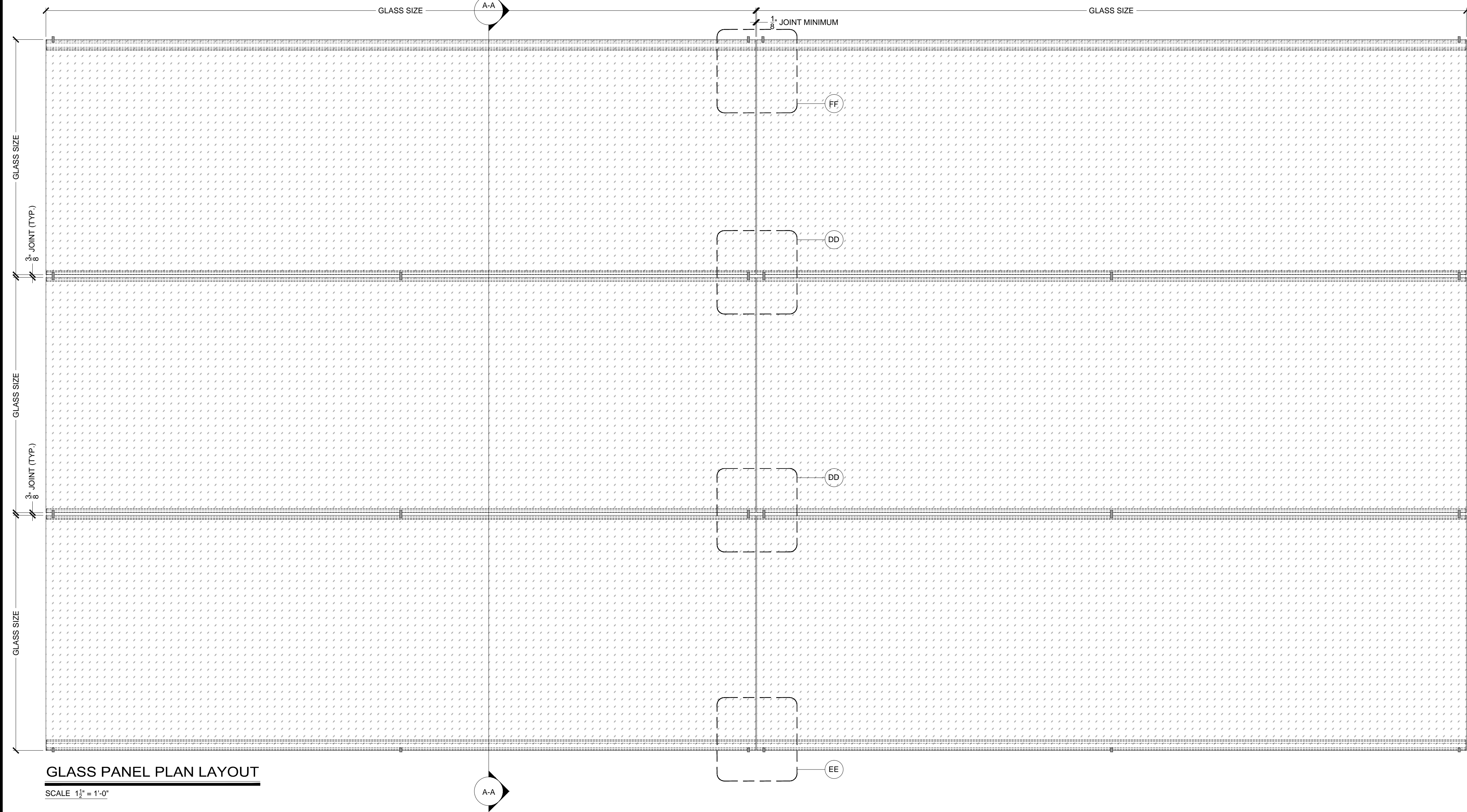




ALL DESIGNS PATENTED AND PROTECTED.

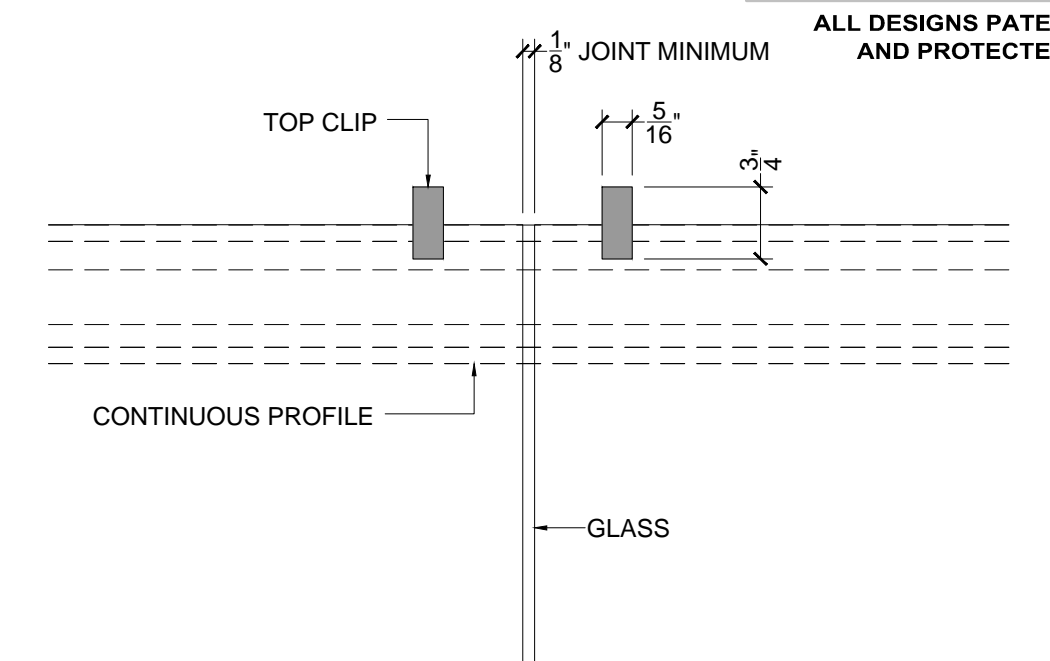


**GLASS PANEL PLAN LAYOUT**

SCALE 1 1/2" = 1'-0"

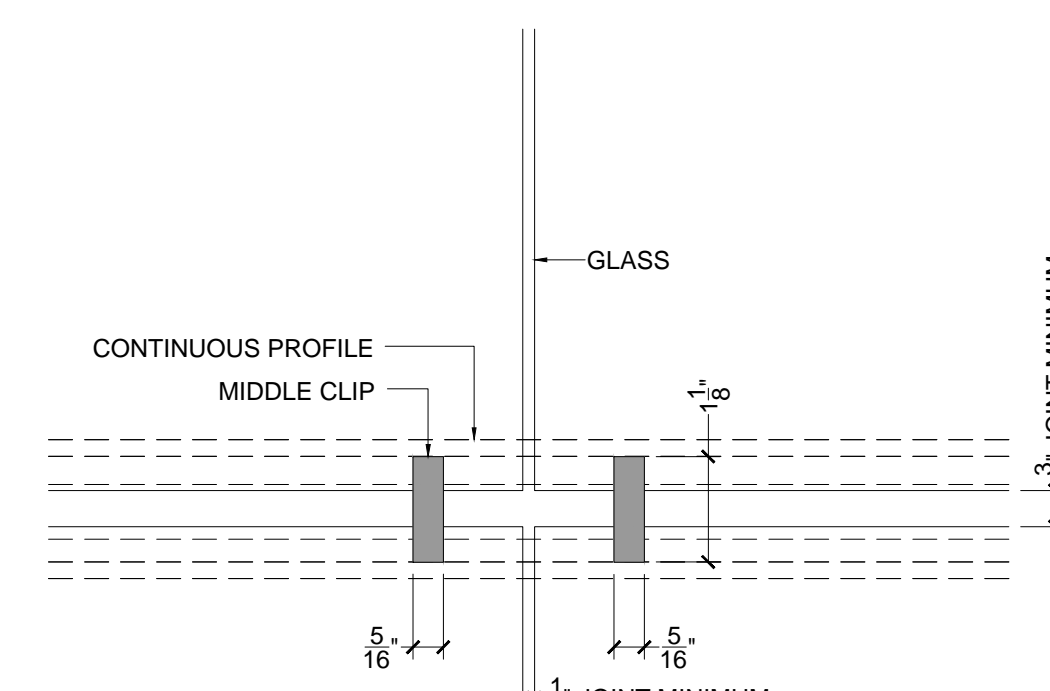
**WALL SECTION**

SCALE 1 1/2" = 1'-0"



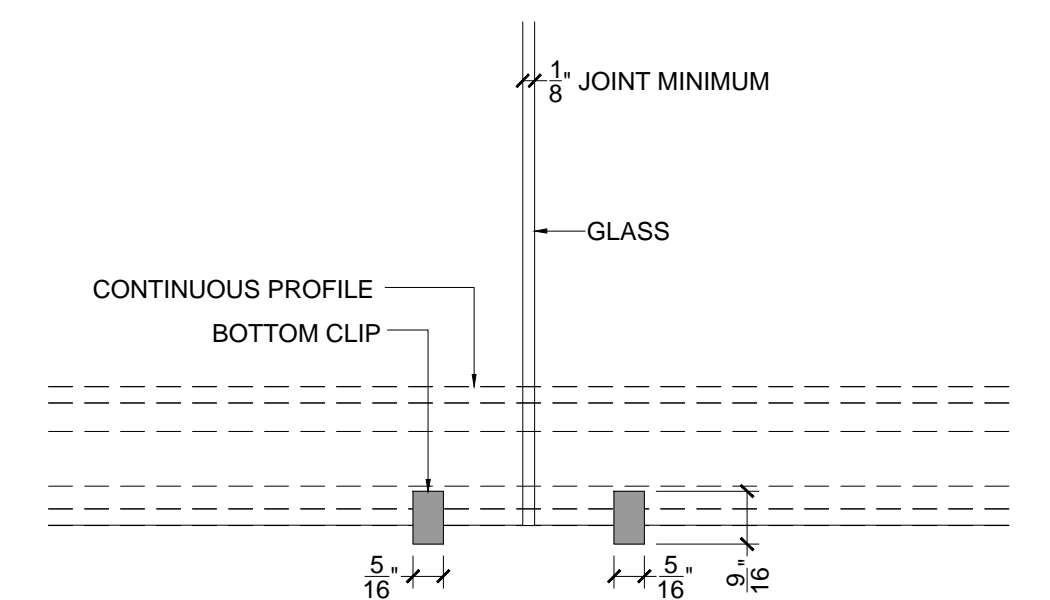
**DETAIL FF**

SCALE 6" = 1'-0"



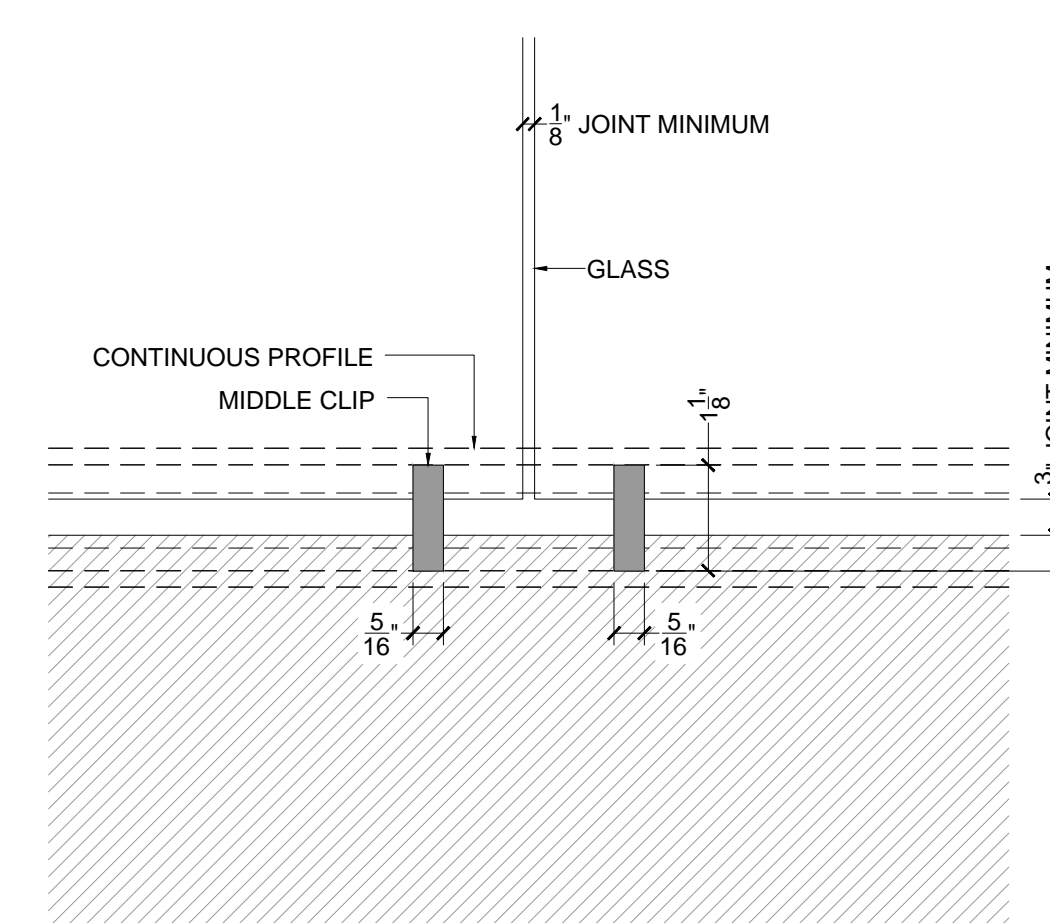
**DETAIL DD**

SCALE 6" = 1'-0"



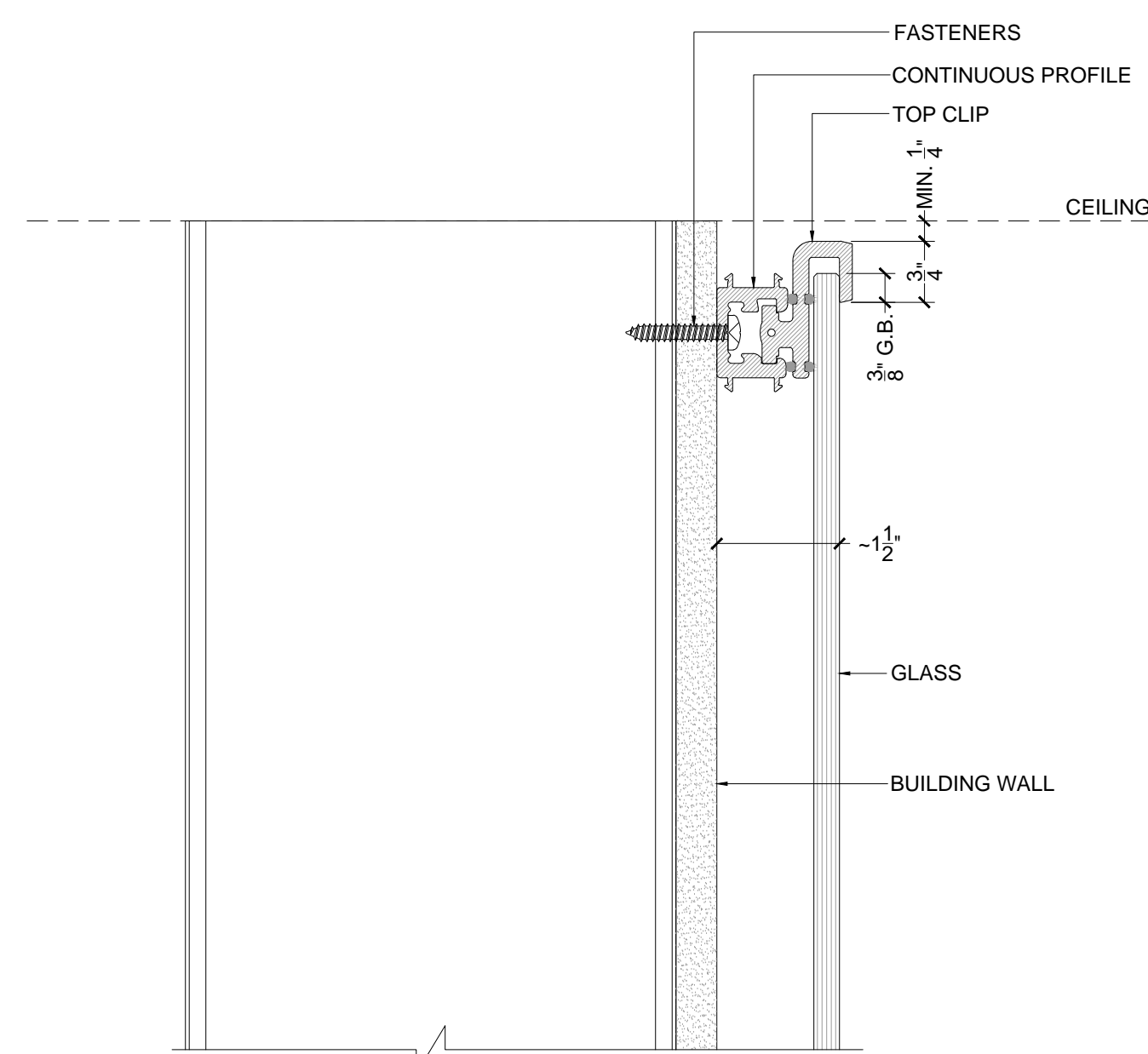
**DETAIL EE (OPTION 1)**

SCALE 6" = 1'-0"



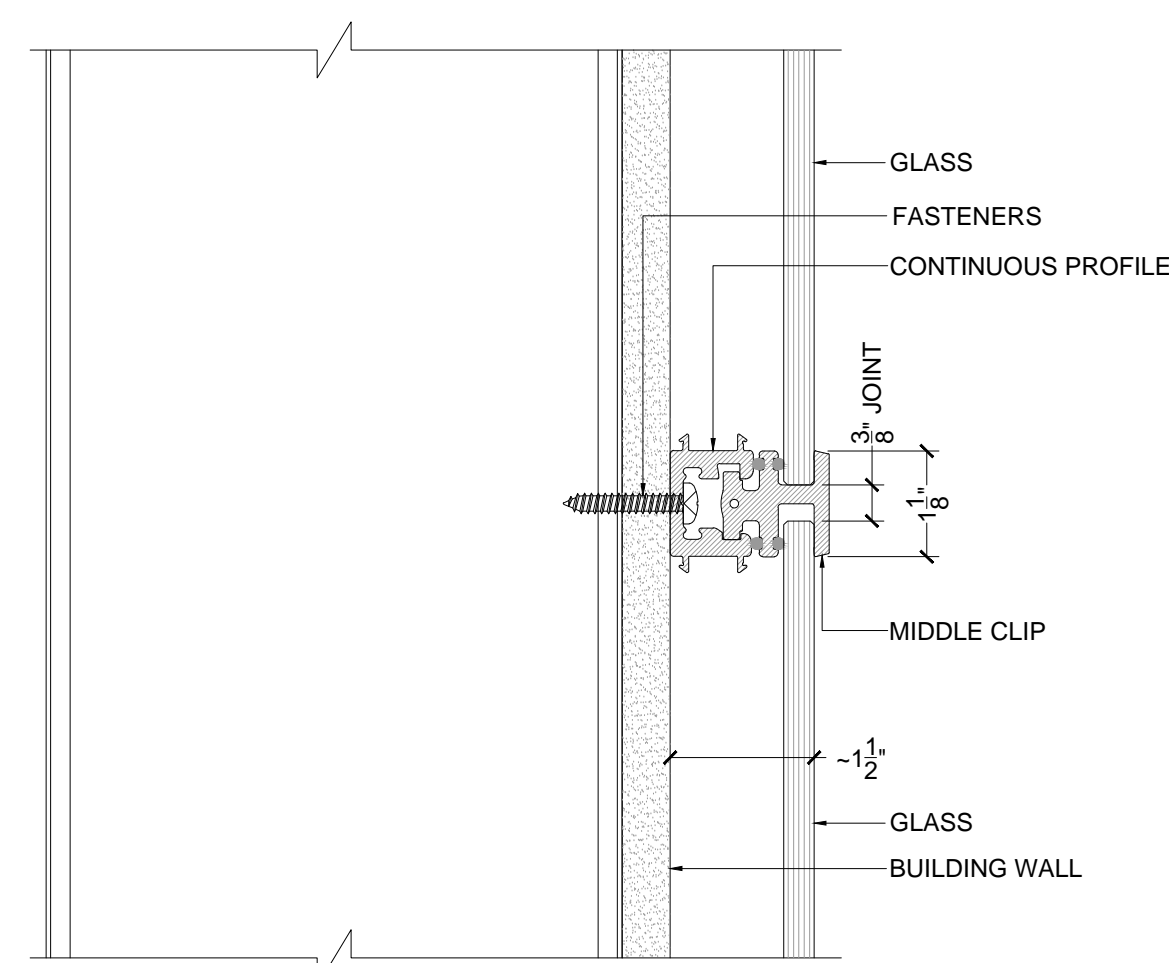
**DETAIL EE (OPTION 2)**

SCALE 6" = 1'-0"



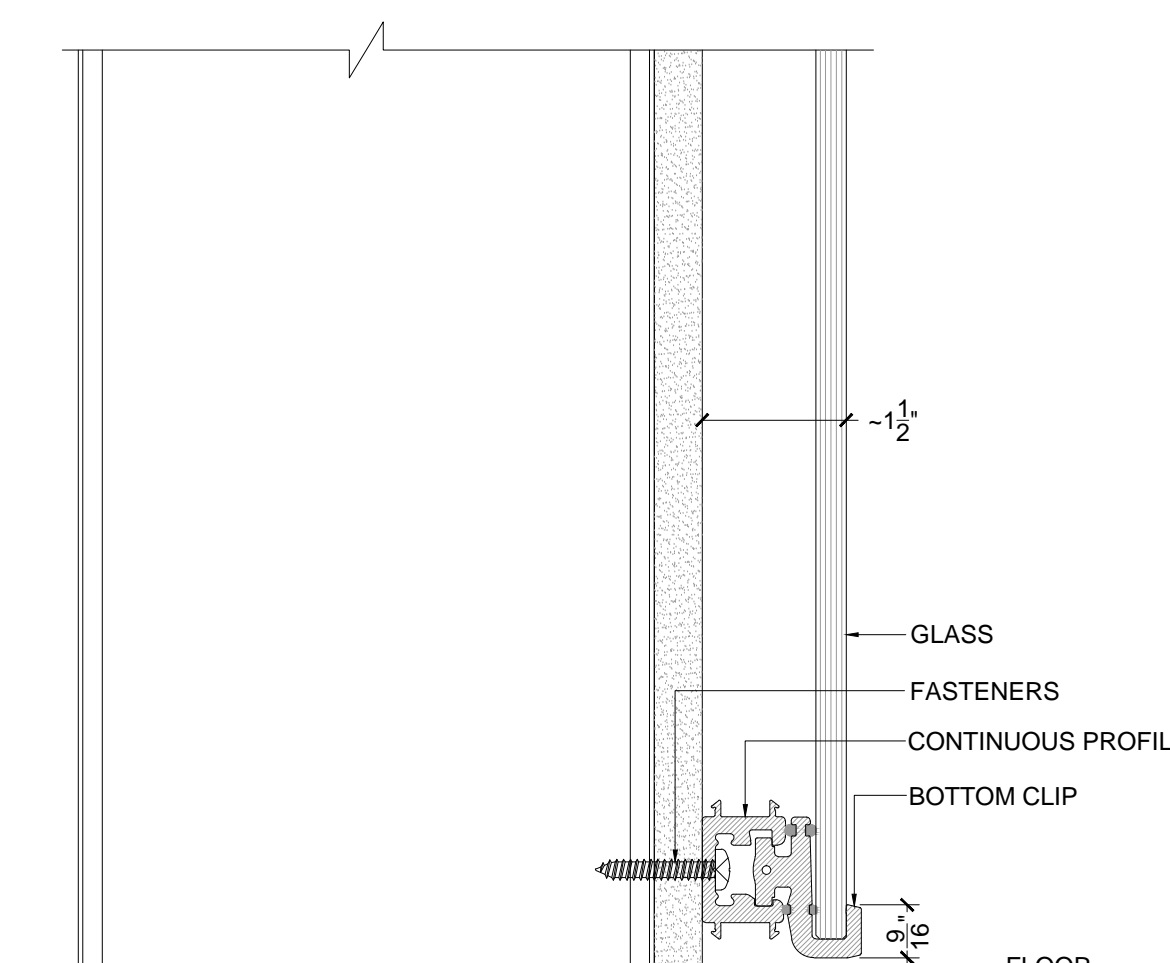
**DETAIL AA**

SCALE 6" = 1'-0"



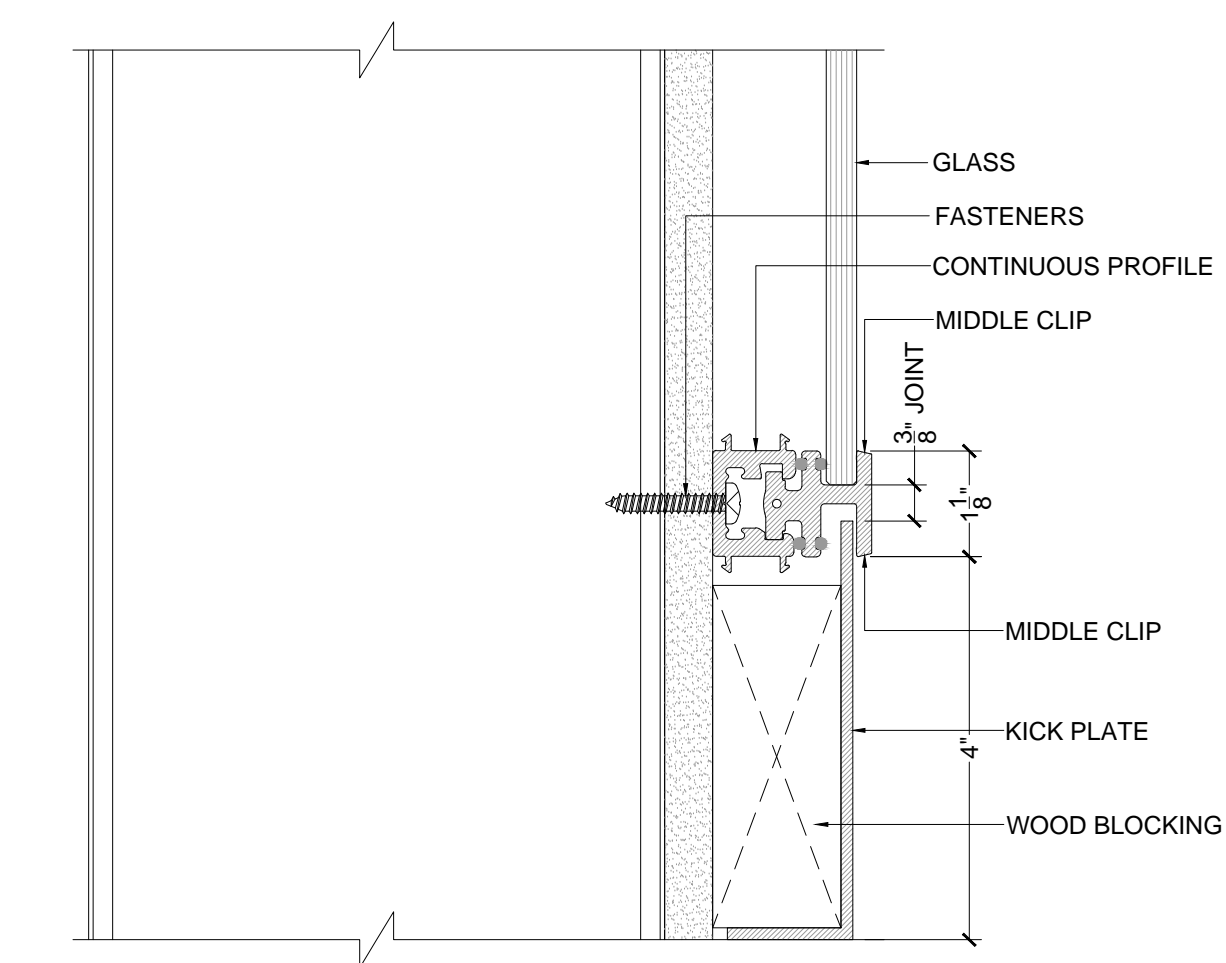
**DETAIL BB**

SCALE 6" = 1'-0"



**DETAIL CC (OPTION 1)**

SCALE 6" = 1'-0"



**DETAIL CC (OPTION 2)**

SCALE 6" = 1'-0"

