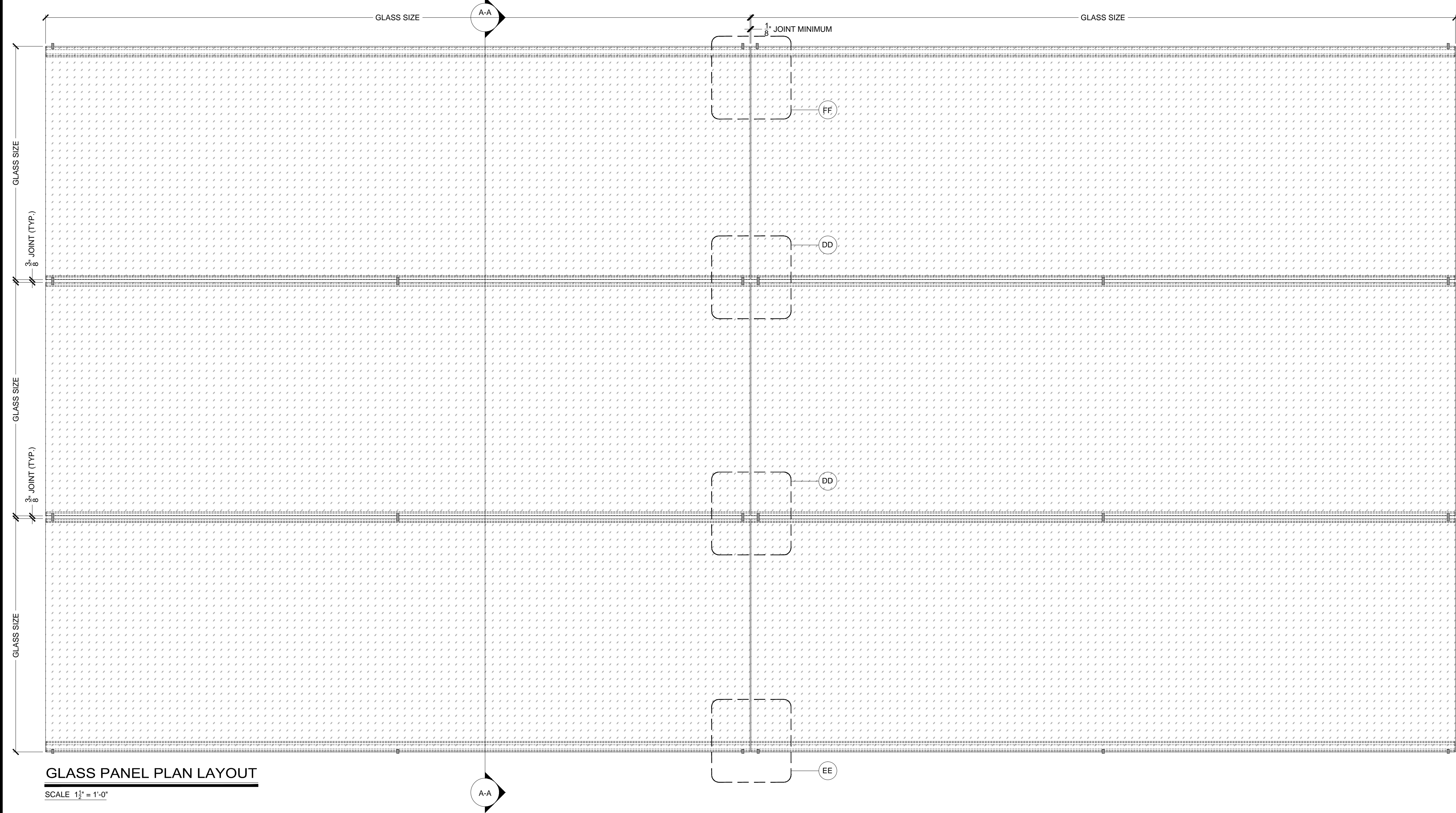




ALL DESIGNS PATENTED AND PROTECTED.

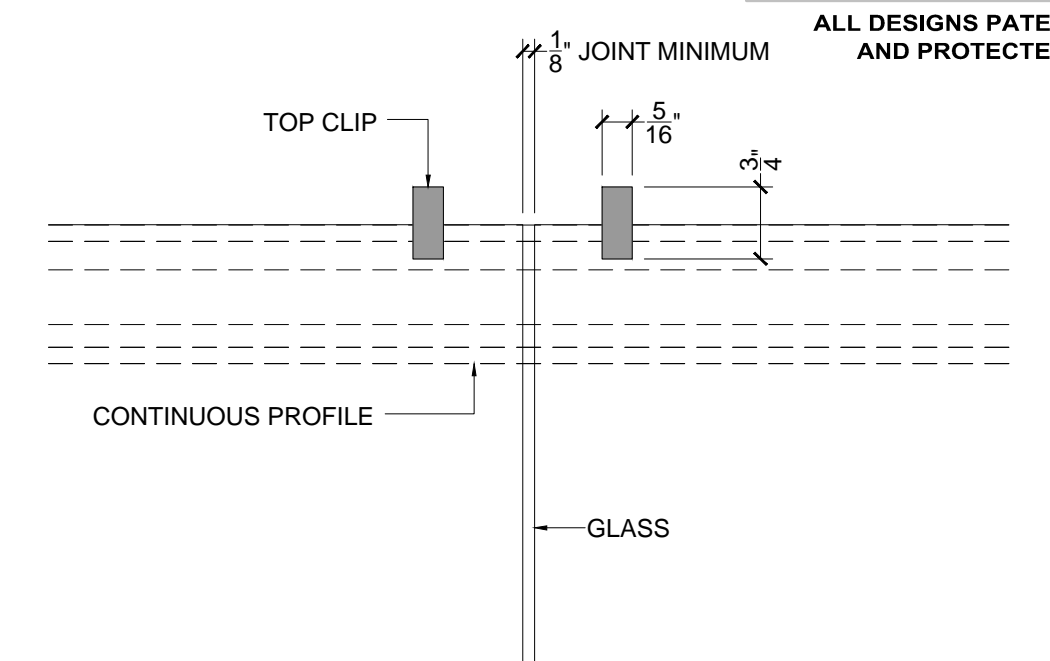


GLASS PANEL PLAN LAYOUT

SCALE 1 1/2" = 1'-0"

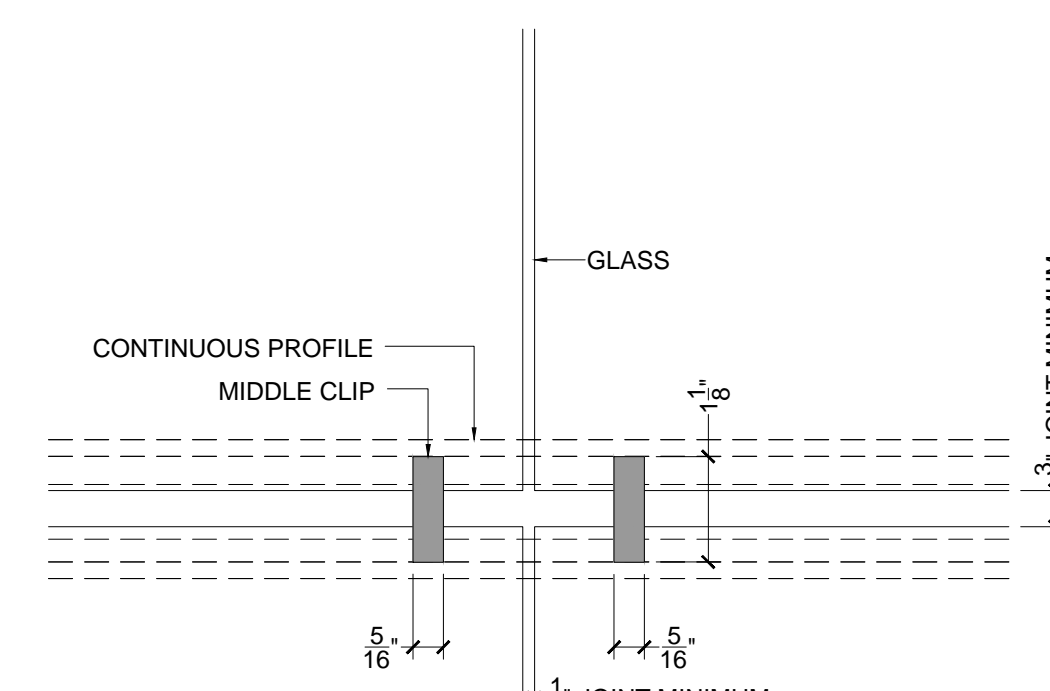
WALL SECTION

SCALE 1 1/2" = 1'-0"



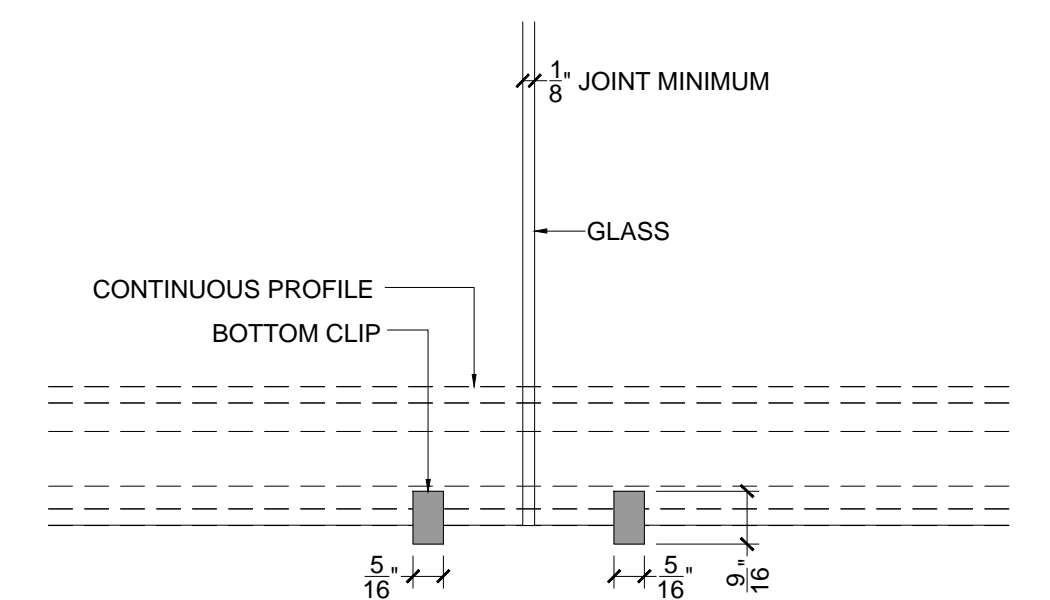
DETAIL FF

SCALE 6" = 1'-0"



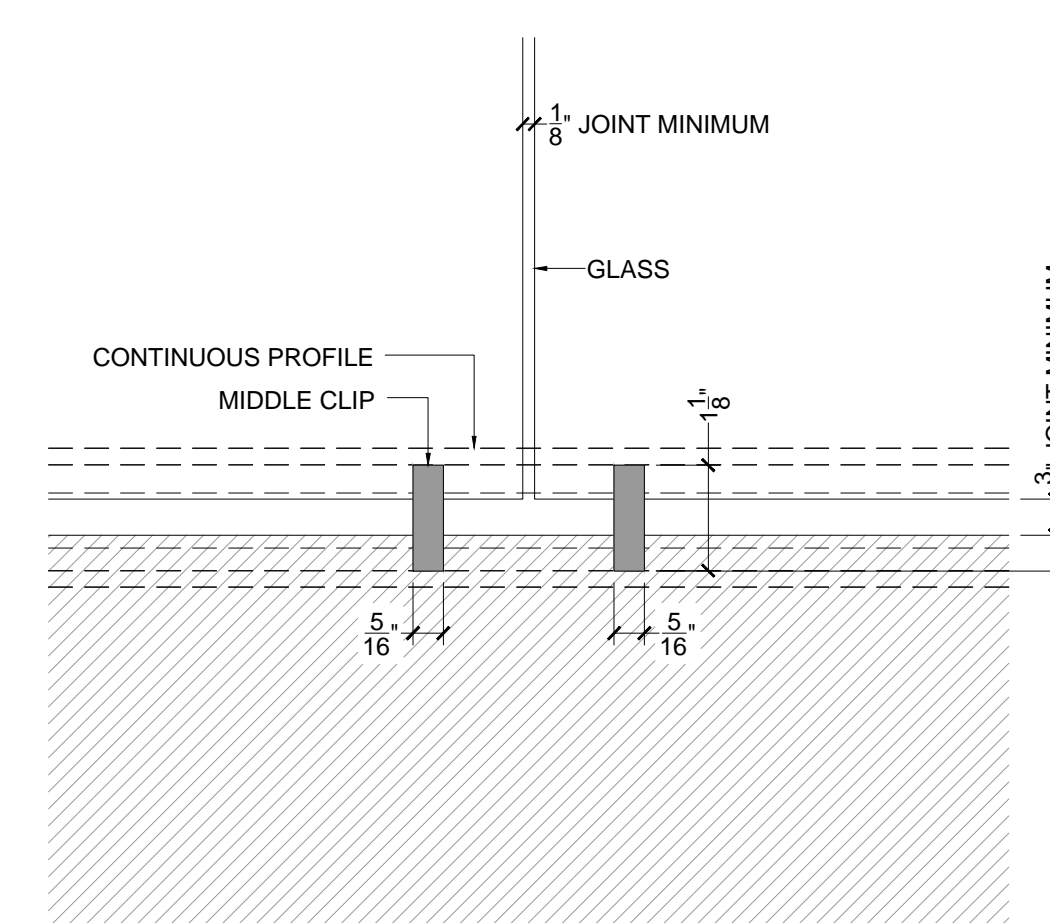
DETAIL DD

SCALE 6" = 1'-0"



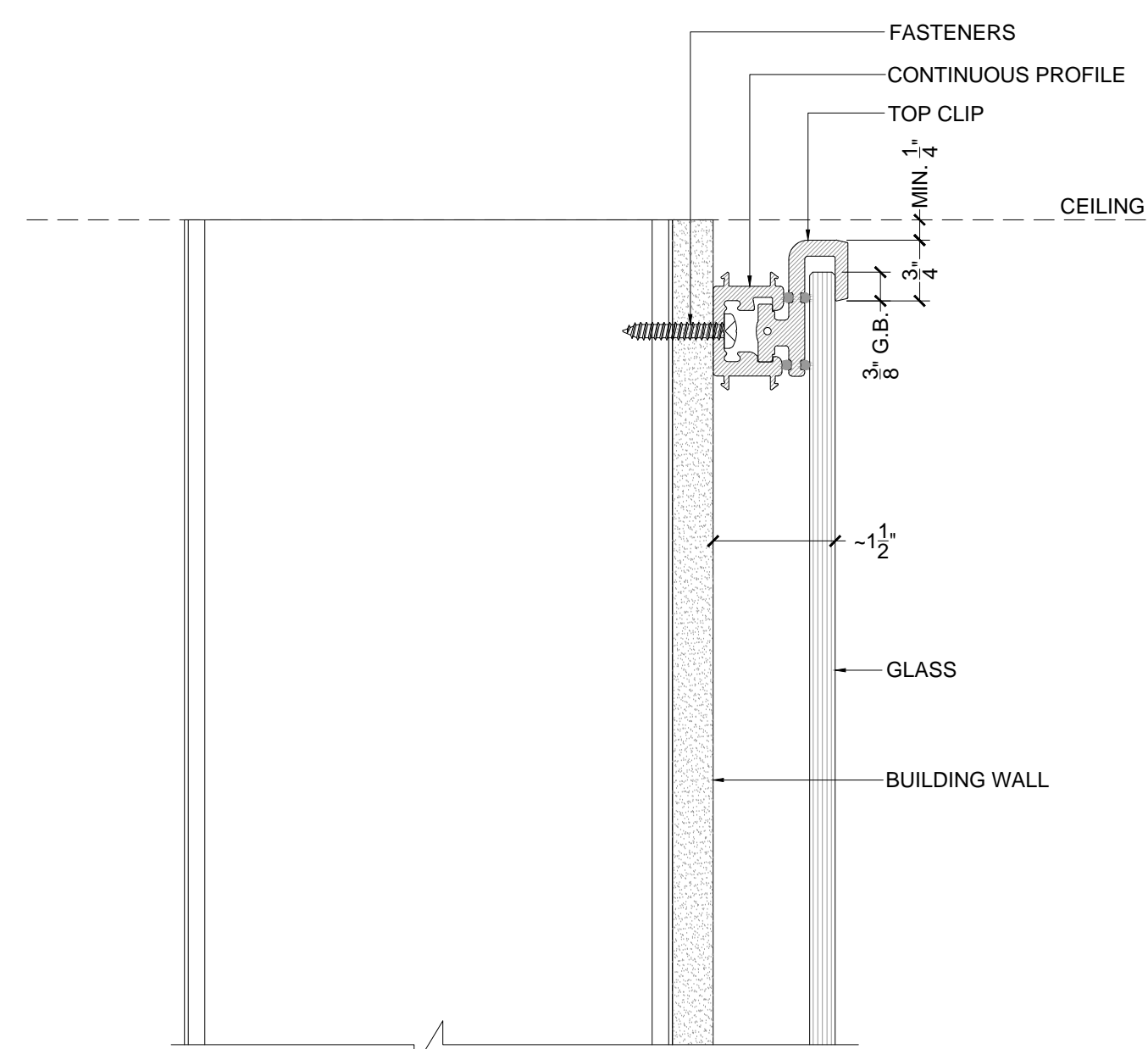
DETAIL EE (OPTION 1)

SCALE 6" = 1'-0"



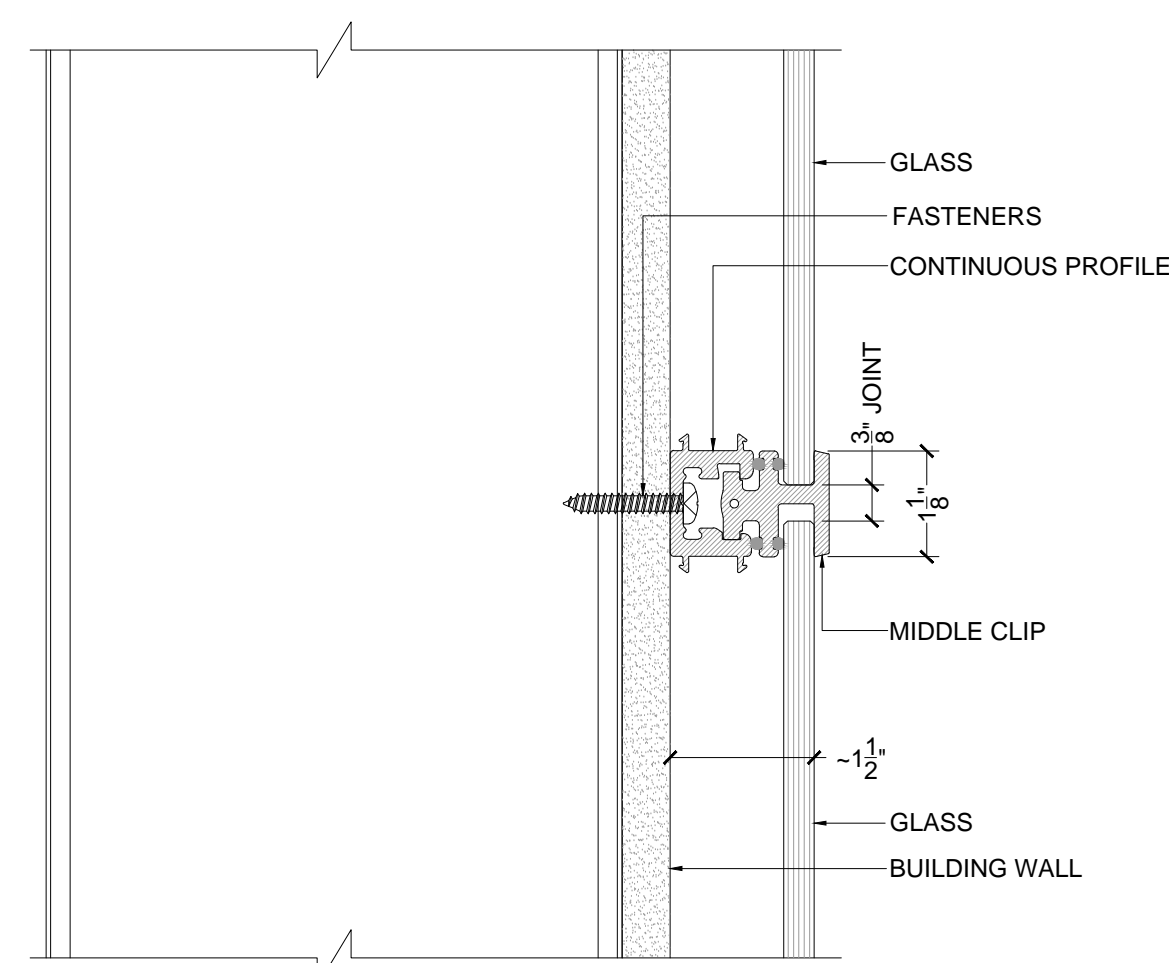
DETAIL EE (OPTION 2)

SCALE 6" = 1'-0"



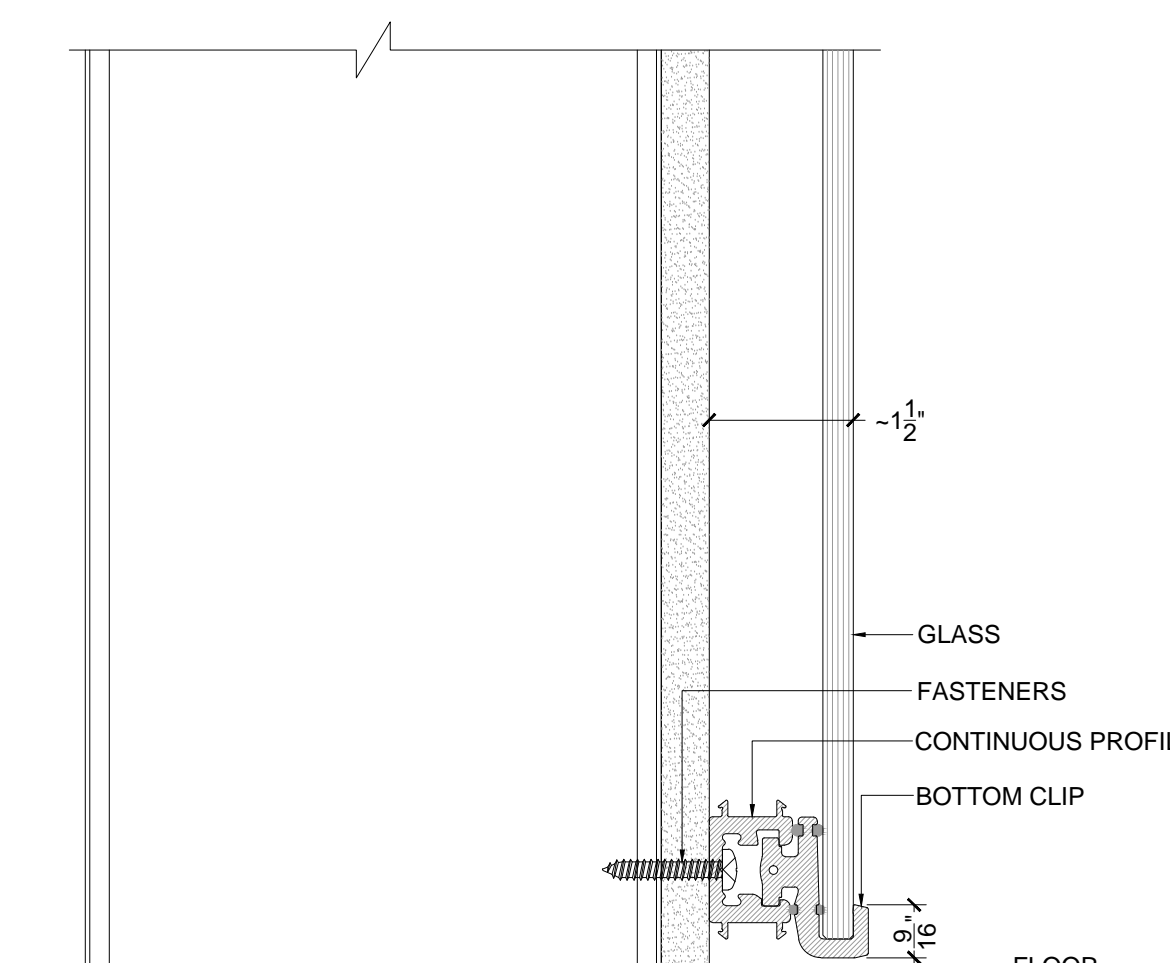
DETAIL AA

SCALE 6" = 1'-0"



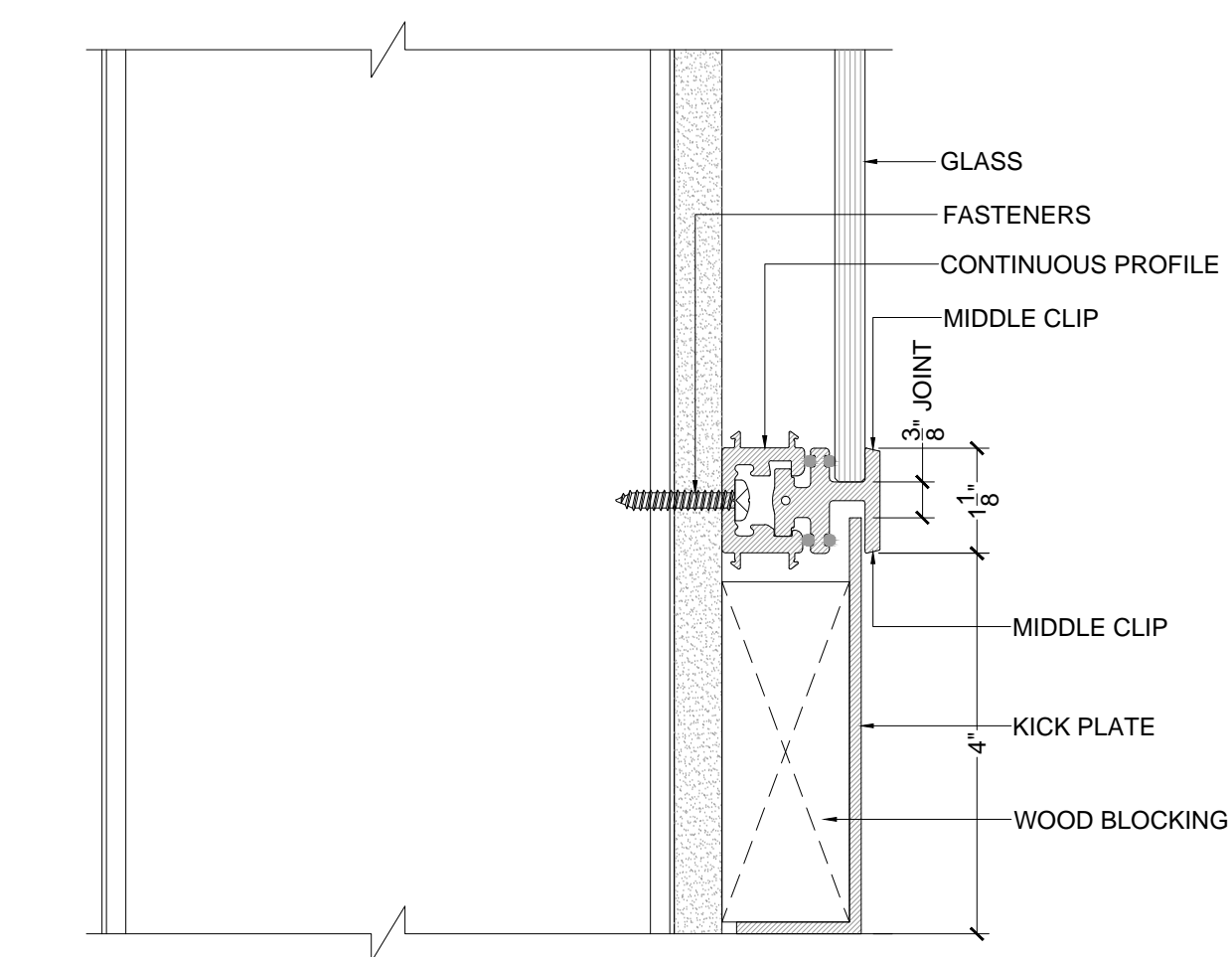
DETAIL BB

SCALE 6" = 1'-0"



DETAIL CC (OPTION 1)

SCALE 6" = 1'-0"



DETAIL CC (OPTION 2)

SCALE 6" = 1'-0"